



ITT Enidine non-adjustable micro-bore hydraulic shock absorbers can accommodate varying energy conditions. This family of tamperproof shock absorbers provides consistent performance, cycle after cycle. Non-adjustable models are designed to absorb maximum energy within a compact envelope size.

The **TK Series** is a versatile, miniature design which provides effective, reliable deceleration and vibration control for light loads. Models can accommodate a wide range of operating conditions.

The ITT Enidine **STH Series** offers the highest energy absorption capacity relative to its size. These custom-orificed shock absorbers are designed to meet exact application requirements. STH Series shock absorbers are available in fully threaded cylinder bodies, providing flexibility in mounting configurations.

### Features and Benefits

- Extensive non-adjustable product line offers flexibility in both size and energy absorption capacity to fulfill a wide range of application requirements.
- Tamperproof design ensures repeatable performance.
- Special materials and finishes can be designed to meet specific customer requirements.
- Incorporating optional fluids and seal packages can expand the standard operating temperature range from (15°F to 180°F) to (-30°F to 210°F).
- Threaded cylinders provide mounting flexibility and increase surface area for improved heat dissipation.
- A select variety of surface finishes maintains original quality appearance and provides the longest corrosion resistance protection.
- ISO quality standards result in reliable, long-life operation.

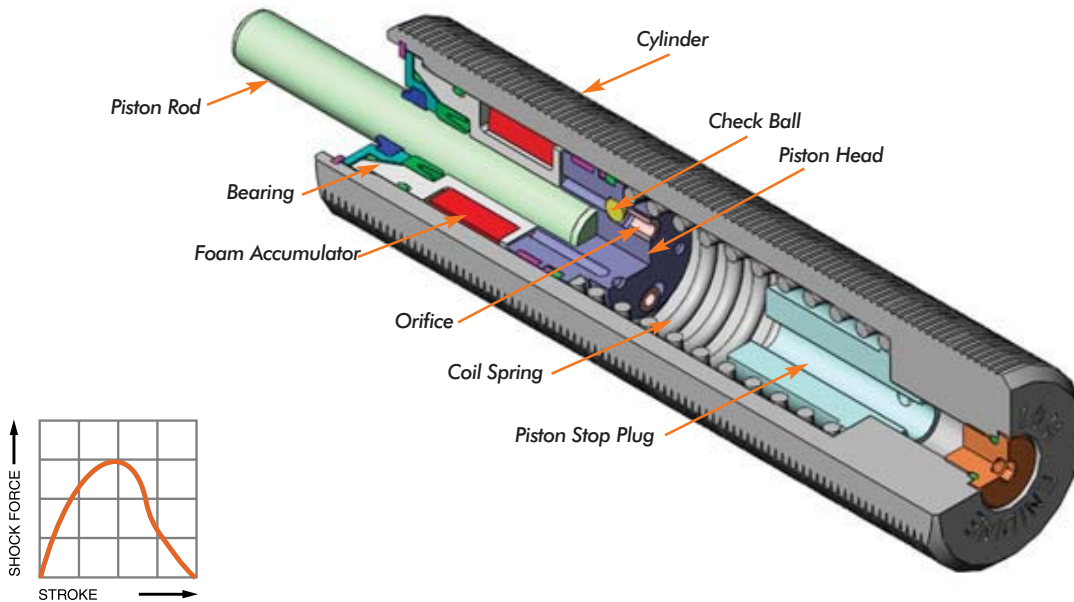
# Non-Adjustable Series Hydraulic Shock Absorbers

## TK, STH Micro-Bore Series

Overview

### ITT Enidine Non-Adjustable Single-Orifice Shock Absorbers

Non-Adjustable Series



**Constant orifice area damping** (dashpot) provides the largest shock force at the beginning of the stroke when impact velocity is highest. These shock absorbers provide high-energy absorption in a small, economical design.

The internal structure of a single orifice shock absorber is shown above. When a force is applied to the piston rod, the check ball is seated and the valve remains closed. Oil is forced through the orifice, creating internal pressure allowing smooth, controlled deceleration of the moving load. When the load is removed, the compressed coil spring moves to reposition the piston head, the check ball unseats, opening the valve that permits rapid return of the piston head rod to the original extended position.

The closed cellular foam accumulator is compressed by the oil during the stroke, compensating for fluid displaced by the piston rod during compression. Without the fluid displacement volume provided by the foam accumulator, the closed system would be hydraulically locked.

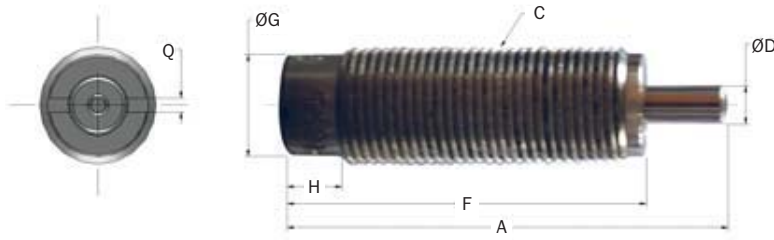
Single-orifice shock absorbers provide constant orifice area (dashpot) damping.

# Non-Adjustable Series Hydraulic Shock Absorbers

## TK Micro-Bore Series

**Technical Data**

TK 6M, TK 8 Series

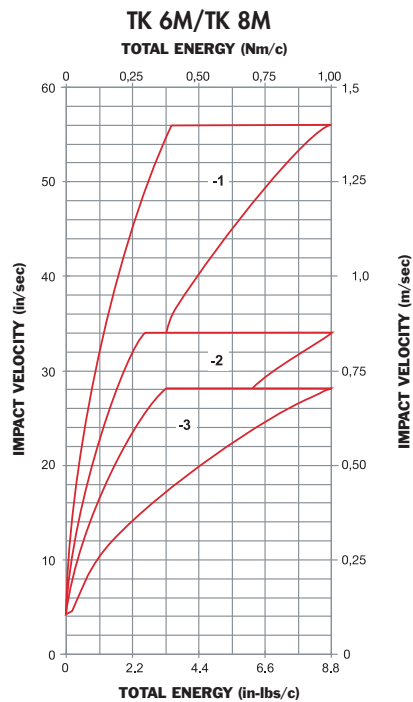
**Standard**


| Catalog No./ Model | Bore Size in. (mm) | (S) Stroke in. (mm) | (E <sub>T</sub> ) Max. in.-lbs./cycle (Nm/c) | (E <sub>T</sub> C) Max. in.-lbs./hour (Nm/h) | (F <sub>p</sub> ) Max. Shock Force lbs. (N) | Nominal Coil Spring Force |                     | Weight (mass) oz. (g) |
|--------------------|--------------------|---------------------|--|--|---|---------------------------|---------------------|-----------------------|
|                    |                    |                     |  |  |   | Extended lbs. (N)         | Compressed lbs. (N) |                       |
| TK 6M              | .28<br>(4,2)       | .25<br>(4,0)        | 9<br>(1,0)                                   | 31,863<br>(3 600)                            | 81<br>(360)                                 | 0.2<br>(1,0)              | 0.8<br>(3,5)        | .14<br>(4)            |
| TK 8M              | .16<br>(4,2)       | .25<br>(4,0)        | 9<br>(1,0)                                   | 42,480<br>(4 800)                            | 81<br>(360)                                 | 0.2<br>(1,0)              | 0.8<br>(3,5)        | .2<br>(6)             |

| Catalog No./ Model | Damping Constant | A in. (mm)     | C in. (mm) | ØD in. (mm)  | F in. (mm)    | G in. (mm)   | H in. (mm)   | Q in. (mm)   |
|--------------------|------------------|----------------|------------|--------------|---------------|--------------|--------------|--------------|
| TK 6M              | -1, -2, -3       | 1.14<br>(28,0) | M6 x 0,5   | .08<br>(2,0) | 1.0<br>(25,0) | .20<br>(5,0) | .16<br>(4,0) | .04<br>(1,0) |
| TK 8M              | -1, -2, -3       | 1.14<br>(29,0) | M8 x 1,0   | .08<br>(2,0) | 1.0<br>(25,0) | .25<br>(6,4) | .16<br>(4,0) | .04<br>(1,0) |

Notes: 1. Dash numbers are non-standard lead time items, contact ITT Enidine.

2. A positive stop is required to prevent the internal damage of the TK 6 and TK 8 shock absorbers.

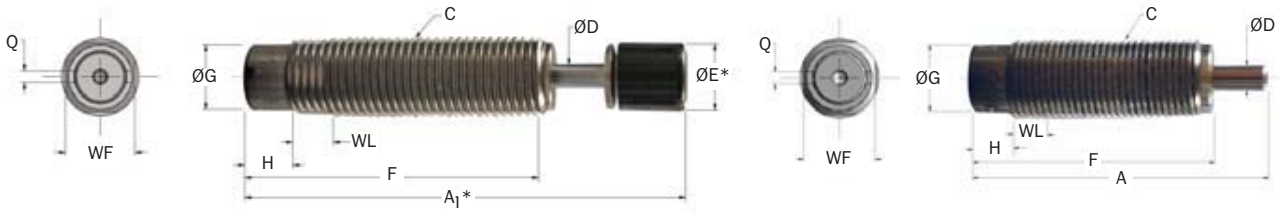


# Non-Adjustable Series Hydraulic Shock Absorbers

## TK Micro-Bore Series

### Technical Data

TK 10M Series  
**Standard**



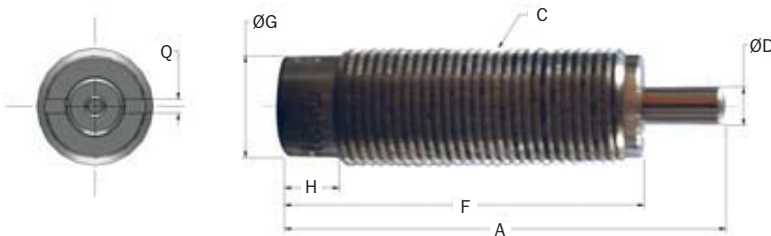
\*Note: A<sub>1</sub> and E apply to button models and urethane striker cap accessory.

| Catalog No./ Model | (S) Stroke in. (mm) | (E <sub>T</sub> ) Max. in.-lbs./cycle (Nm/c) | (E <sub>T</sub> C) Max. in.-lbs./hour (Nm/h) | (F <sub>P</sub> ) Max. Shock Force lbs. (N) | Nominal Coil Spring Force |                     | (F <sub>D</sub> ) Max. Propelling Force lbs. (N) | Weight (mass) oz. (g) |
|--------------------|---------------------|--|--|---|---------------------------|---------------------|--|-----------------------|
|                    |                     |  |  |   | Extended lbs. (N)         | Compressed lbs. (N) |  |                       |
| TK 10M (B)         | .25 (6,4)           | 50 (6,0)                                     | 115,000 (13 000)                             | 315 (1 400)                                 | 0.3 (1,5)                 | 2.2 (10,0)          | —  | .6 (17)               |

| Catalog No./ Model | Damping Constant | A in. (mm)  | A <sub>1</sub> in. (mm) | C in. (mm)            | D in. (mm) | ØE in. (mm) | F in. (mm)  | G in. (mm) | H in. (mm) | Q in. (mm) | WF in. (mm) | WL in. (mm) | Stroke (S) in. (mm) |
|--------------------|------------------|-------------|-------------------------|-----------------------|------------|-------------|-------------|------------|------------|------------|-------------|-------------|---------------------|
| TK 10M (B)         | -1 to -9         | 1.75 (44,6) | 2.14 (54,4)             | M10 x 1.0 (M10 x 1,0) | .12 (3,1)  | .35 (8,5)   | 1.50 (38,0) | .33 (8,3)  | .20 (5,0)  | .06 (1,5)  | .35 (9,0)   | .16 (4,0)   | 0.25 (6,4)          |

Note: Dash numbers in page color are non-standard lead time items, contact ITT Enidine.

TK 21M Series  
**Standard**

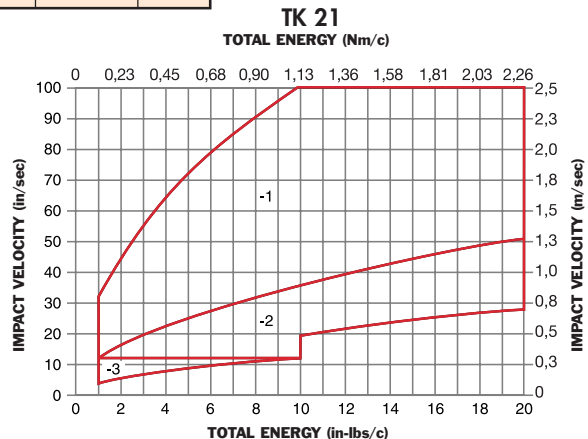
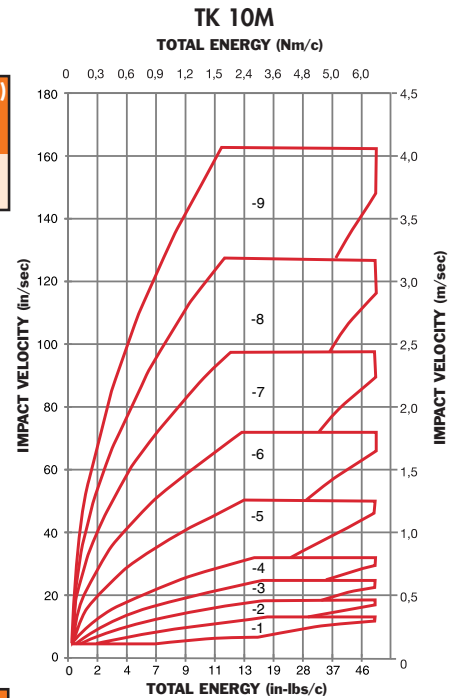


\*Note: A<sub>1</sub> and E apply to button models and urethane striker cap accessory.

| Catalog No./ Model | (S) Stroke in. (mm) | (E <sub>T</sub> ) Max. in.-lbs./cycle (Nm/c) | (E <sub>T</sub> C) Max. in.-lbs./hour (Nm/h) | (F <sub>P</sub> ) Max. Shock Force lbs. (N) | Nominal Coil Spring Force |                     | (F <sub>D</sub> ) Max. Propelling Force lbs. (N) | Weight (mass) oz. (g) |
|--------------------|---------------------|--|--|---|---------------------------|---------------------|--|-----------------------|
|                    |                     |  |  |   | Extended lbs. (N)         | Compressed lbs. (N) |  |                       |
| TK 21              | .25 (6,4)           | 20 (2,2)                                     | 36,000 (4 100)                               | 160 (700)                                   | 0.65 (2,9)                | 1.13 (5,0)          | 20 (89)  | .4 (12)               |

| Catalog No./ Model | Damping Constant | A in. (mm)  | C in. (mm)                | D in. (mm) | F in. (mm)  | G in. (mm) | H in. (mm) | Q in. (mm) |
|--------------------|------------------|-------------|---------------------------|------------|-------------|------------|------------|------------|
| TK 21              | -1, -2, -3       | 1.39 (35,4) | 3/8 - 32 UNEF (M10 x 1,0) | .12 (3,1)  | 1.13 (28,7) | .32 (8,2)  | .17 (4,4)  | .05 (1,2)  |

Note: A positive stop is required to prevent the bottoming of the TK 21 shock absorber.



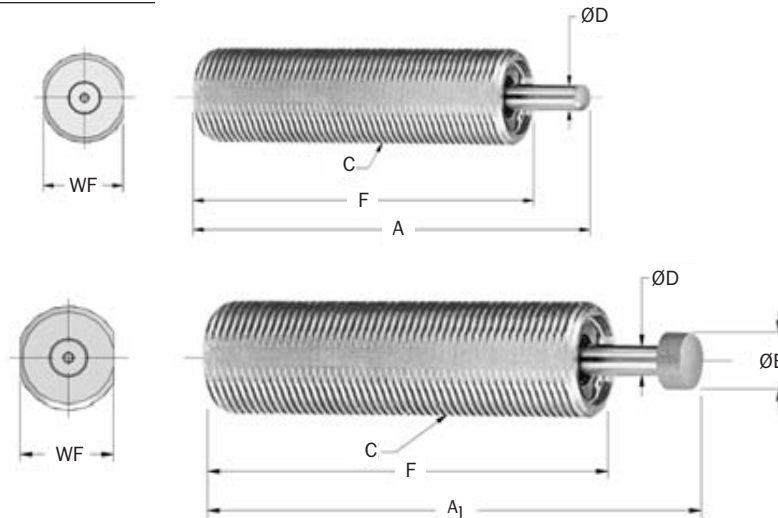
# Non-Adjustable Series Hydraulic Shock Absorbers

## STH Small-Bore Series

Technical Data

STH .25M → STH 1.5M x 2 Series  
**Custom Orificed Products**

Non-Adjustable Series



| Catalog No./ Model | (S) Stroke in. (mm) | (E <sub>T</sub> ) Max. in.-lbs./cycle (Nm/c) | (E <sub>T</sub> C) Max. in.-lbs./hour (Nm/h) | (F <sub>P</sub> ) Max. Shock Force lbs. (N) | Nominal Coil Spring Force |                     | Model Weight lbs. (g) |
|--------------------|---------------------|--|--|---|---------------------------|---------------------|-----------------------|
|                    |                     |  |  |   | Extended lbs. (N)         | Compressed lbs. (N) |                       |
| △ STH .25M         | 0.25 (6,0)          | 100 (11)                                     | 39,000 (4 420)                               | 615 (2 730)                                 | 2.5 (11)                  | 4.0 (18)            | 2.8 oz. (79)          |
| △ STH .5M          | 0.50 (12,5)         | 585 (65)                                     | 390,000 (44 200)                             | 1,800 (8 000)                               | 4.0 (18)                  | 7.0 (31)            | 7.7 oz. (218)         |
| △ STH .75M         | 0.75 (19,0)         | 2,180 (245)                                  | 780,000 (88 400)                             | 4,400 (19 600)                              | 8.0 (35)                  | 20.0 (90)           | 1.1 (500)             |
| △ STH 1.0M         | 1.00 (25,0)         | 4,400 (500)                                  | 1,300,000 (147 000)                          | 6,700 (29 800)                              | 22.0 (98)                 | 53.0 (235)          | 1.6 (726)             |
| △ STH 1.0M x 2     | 2.00 (50,0)         | 8,800 (1 000)                                | 2,100,000 (235 000)                          | 6,700 (29 800)                              | 15.0 (66)                 | 30.0 (133)          | 1.9 (862)             |
| △ STH 1.5M x 1     | 1.00 (25,0)         | 10,200 (1 150)                               | 2,200,000 (250 000)                          | 14,600 (65 000)                             | 20.0 (90)                 | 51.0 (227)          | 3.1 (1 400)           |
| △ STH 1.5M x 2     | 2.00 (50,0)         | 20,400 (2 300)                               | 3,200,000 (360 000)                          | 14,600 (65 000)                             | 12.5 (56)                 | 51.0 (227)          | 4.0 (1 800)           |

- Notes: 1. Custom orificed application data needed.  
 2. All shock absorbers will function at 5% of their rated energy per cycle. If less than 5%, a smaller model should be specified.  
 3. Enidine recommends a positive stop to prevent bottoming of the shock absorber.  
 4. △ = Non-standard lead time items, contact ITT Enidine.

| Catalog No./ Model | A in. (mm)    | A <sub>1</sub> in. (mm) | C in. (mm) | D in. (mm) | E in. (mm) | F in. (mm)   | WF in. (mm) |
|--------------------|---------------|-------------------------|------------|------------|------------|--------------|-------------|
| STH .25M           | —             | 2.81 (71,0)             | M14 X 1.0  | .19 (4,8)  | .50 (12,7) | 2.00 (51,0)  | .50 (13,0)  |
|                    | —             | 3.50 (89,0)             | M22 X 1.5  | .22 (5,6)  | .38 (9,5)  | 2.70 (68,5)  | .88 (20,0)  |
| STH .75M           | —             | 5.13 (130,0)            | M30 X 2.0  | .31 (8,0)  | .56 (14,3) | 4.06 (103,0) | 1.13 (27,0) |
|                    | —             | 6.70 (170,0)            | M36 X 1.5  | .38 (9,5)  | .69 (17,5) | 5.38 (136,5) | 1.25 (32,0) |
| STH 1.0M x 2       | —             | 9.38 (238,2)            | M36 X 1.5  | .38 (9,5)  | .69 (17,5) | 7.02 (178,3) | 1.25 (32,0) |
|                    | 7.09 (180,0)  | —                       | M45 X 1.5  | .63 (16,0) | —          | 6.06 (154,0) | 1.63 (42,0) |
| STH 1.5M x 2       | 10.63 (270,0) | —                       | M45 X 1.5  | .63 (16,0) | —          | 8.62 (219,0) | 1.63 (42,0) |
|                    | —             | —                       | M45 X 1.5  | .63 (16,0) | —          | —            | —           |

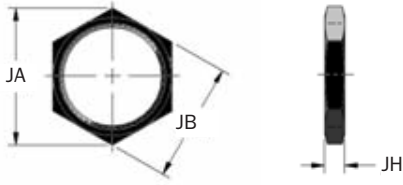
# Non-Adjustable Series Hydraulic Shock Absorbers

TK, STH Micro-Bore Series

## Accessories

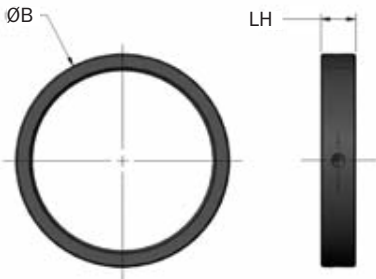
TK 10 → STH 1.5M x 2 Series

### Jam Nut (JN)



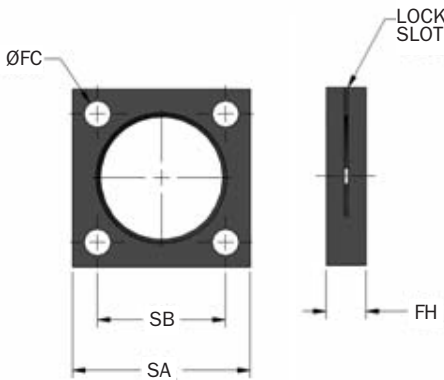
| Catalog No./Model | Part Number | Model (Ref)  | JA in. (mm) | JB in. (mm) | JH in. (mm) | Weight (mass) oz. (g) |
|-------------------|-------------|--------------|-------------|-------------|-------------|-----------------------|
| JN 3/8 - 32       | J14421034   | TK 21        | .58 (14,7)  | .50 (12,7)  | .09 (2,2)   | 0.1 (2,8)             |
| JN M10 x 1        | J24421035   | TK10M/TK21M  | 0.59 (15,0) | 0.51 (13,0) | .13 (3,2)   | 0.1 (2,8)             |
| JN M14 X 1        | J24950035   | STH .25M     | .77 (19,7)  | .67 (17,0)  | .16 (4,0)   | 0.2 (3)               |
| JN M22 X 1.5      | J26402035   | STH .5M      | 1.24 (31,5) | 1.06 (27,0) | .22 (5,5)   | 0.5 (12)              |
| JN M30 X 2        | J230583035  | STH .75M     | 1.63 (41,6) | 1.42 (36,0) | .27 (7,0)   | 0.9 (26)              |
| JN M36 X 1.5      | J23164035   | STH .1.0M    | 1.86 (41,6) | 1.61 (36,0) | .25 (7,0)   | 0.9 (26)              |
| JN M36 X 1.5      | J23164035   | STH 1.0 X 2M | 1.86 (41,6) | 1.61 (36,0) | .25 (7,0)   | 0.9 (26)              |

### Lock Ring (LR)



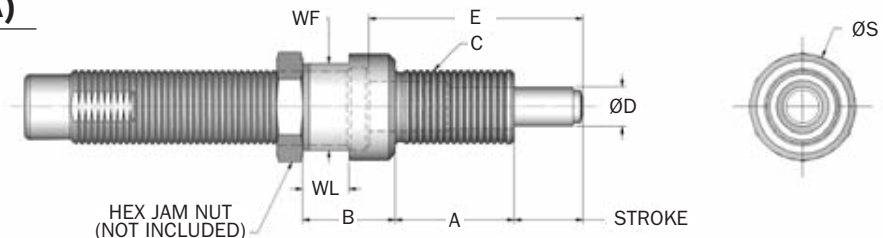
| Catalog No./Model | Part Number | Model (Ref)    | B in. (mm)  | LH in. (mm) | Weight (mass) oz. (g) |
|-------------------|-------------|----------------|-------------|-------------|-----------------------|
| LR M45 x 1.5      | F88637049   | STH 1.5 Series | 2.25 (57,2) | .38 (9,5)   | 2.0 (75)              |

### Square Flange (SF)



| Catalog No.  | Part Number | Model (Ref)    | FC in. (mm) | FH in. (mm) | SA in. (mm) | SB in. (mm) | Bolt Size in. (mm) | Weight (mass) oz. (g) |
|--------------|-------------|----------------|-------------|-------------|-------------|-------------|--------------------|-----------------------|
| SF M45 X 1.5 | M48637129   | STH 1.5 Series | .34 (8,6)   | .50 (12,7)  | 2.25 (57,2) | 1.63 (41,3) | 5/16 (M8)          | 5 (142)               |

### Side Load Adapter (SLA)



| Catalog No./Model  | Part Number | Model (Ref)   | Stroke in. (mm) | A in. (mm) | B in. (mm) | C in. (mm)         | D in. (mm) | E in. (mm) | S in. (mm) | WF in. (mm) | WL in. (mm) |
|--------------------|-------------|---------------|-----------------|------------|------------|--------------------|------------|------------|------------|-------------|-------------|
| SLA 3/8 - 32 x .25 | SLA 33843   | TK 21         | .26 (6,6)       | .47 (12)   | .43 (11)   | 3/8 - 32 UNEF      | .20 (5,0)  | .85 (21,6) | .51 (13,0) | .44 (11,0)  | .16 (4,0)   |
| SLA 10 MF          | SLA 33457   | TK 10M/TK 21M | .27 (6,9)       | .47 (12)   | .43 (11)   | M10 X 1<br>M10 x 1 | .20 (5,0)  | .85 (21,6) | .51 (13,0) | .43 (11,0)  | .16 (4,0)   |

Notes: 1. Maximum sideload angle is 30°. 2. Dash number in page color are non-standard lead time items, contact ITT Enidine.

Non-Adjustable Series

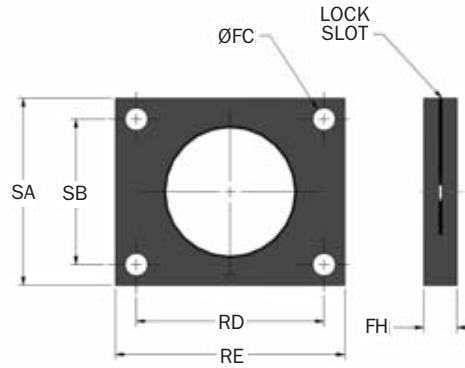
# Non-Adjustable Series Hydraulic Shock Absorbers

TK Micro-Bore Series, STH Series

Accessories

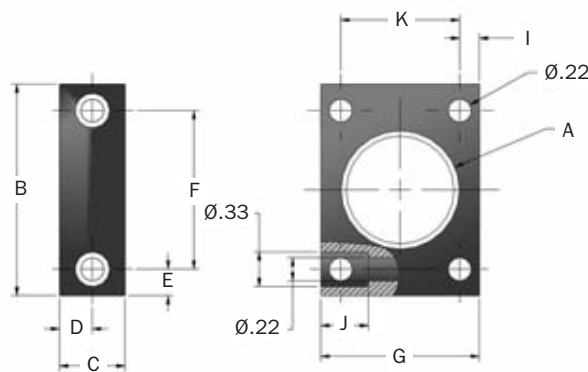
TK 10 → STH 1.5M x 2 Series

## Rectangular Flange (RF)



| Catalog No./Model | Part Number | Model (Ref)    | A<br>in.<br>(mm) | FC<br>in.<br>(mm) | FH<br>in.<br>(mm) | RD<br>in.<br>(mm) | RE<br>in.<br>(mm) | SA<br>in.<br>(mm) | SB<br>in.<br>(mm) | Bolt<br>Size<br>in.<br>(mm) | Wt.<br>(mass)<br>oz.<br>(g) |
|-------------------|-------------|----------------|------------------|-------------------|-------------------|-------------------|-------------------|-------------------|-------------------|-----------------------------|-----------------------------|
| RF M45 x 1.5      | M58637053   | STH 1.5 Series | M45 x 1.5        | .34<br>(8,6)      | .50<br>(12,7)     | 2.38<br>(60,5)    | 3.00<br>(76,2)    | 2.25<br>(57,2)    | 1.63<br>(41,3)    | 3/16<br>(M8)                | 9<br>(142)                  |

## Universal Retaining Flange (UF)



| Catalog No./Model | Part Number | Model (Ref)     | A<br>in.<br>(mm) | B<br>in.<br>(mm) | C<br>in.<br>(mm) | D<br>in.<br>(mm) | E<br>in.<br>(mm) | F<br>in.<br>(mm) | G<br>in.<br>(mm) | H<br>in.<br>(mm) | J<br>in.<br>(mm) |
|-------------------|-------------|-----------------|------------------|------------------|------------------|------------------|------------------|------------------|------------------|------------------|------------------|
| UF M10 x 1        | U16363189   | TK 10M(B)/TK21M | M10 x 1          | 1.50<br>(38,0)   | .47<br>(12,0)    | .24<br>(6,0)     | .25<br>(6,25)    | 1.00<br>(25,5)   | 1.00<br>(25)     | .50<br>(12,5)    | .20<br>(5)       |
| UF 3/8 - 32       | U19070095   | TK21            | 3/8 - 32 UNF     | 1.50             | .56              | .28              | .25              | 1.00             | 1.00             | .50              | .20              |

# Non-Adjustable Series Hydraulic Shock Absorbers

TK  
STH

## Typical Applications

Non-Adjustable Series



Packaging



Medical Devices



High Speed Automation