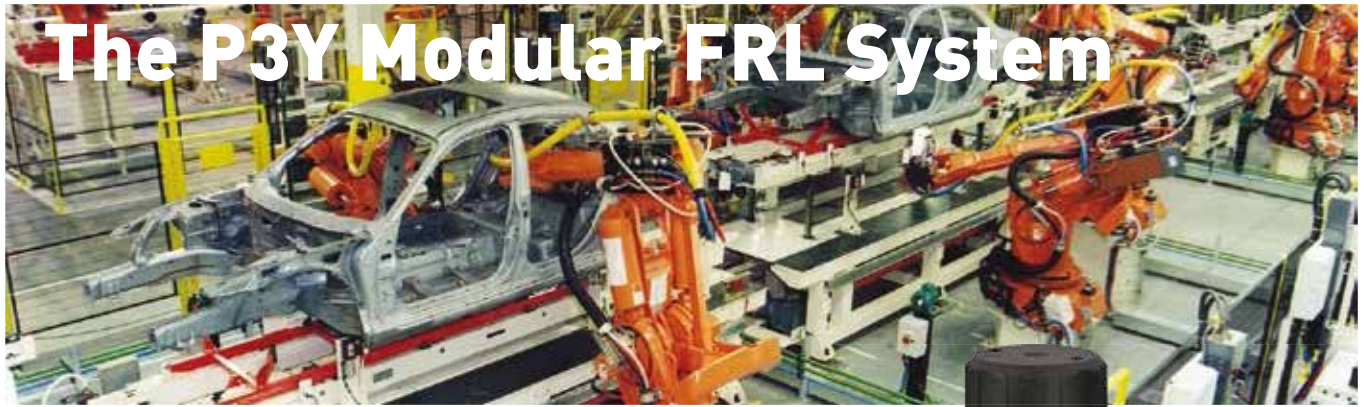


**For the most demanding hi-flow industrial applications**



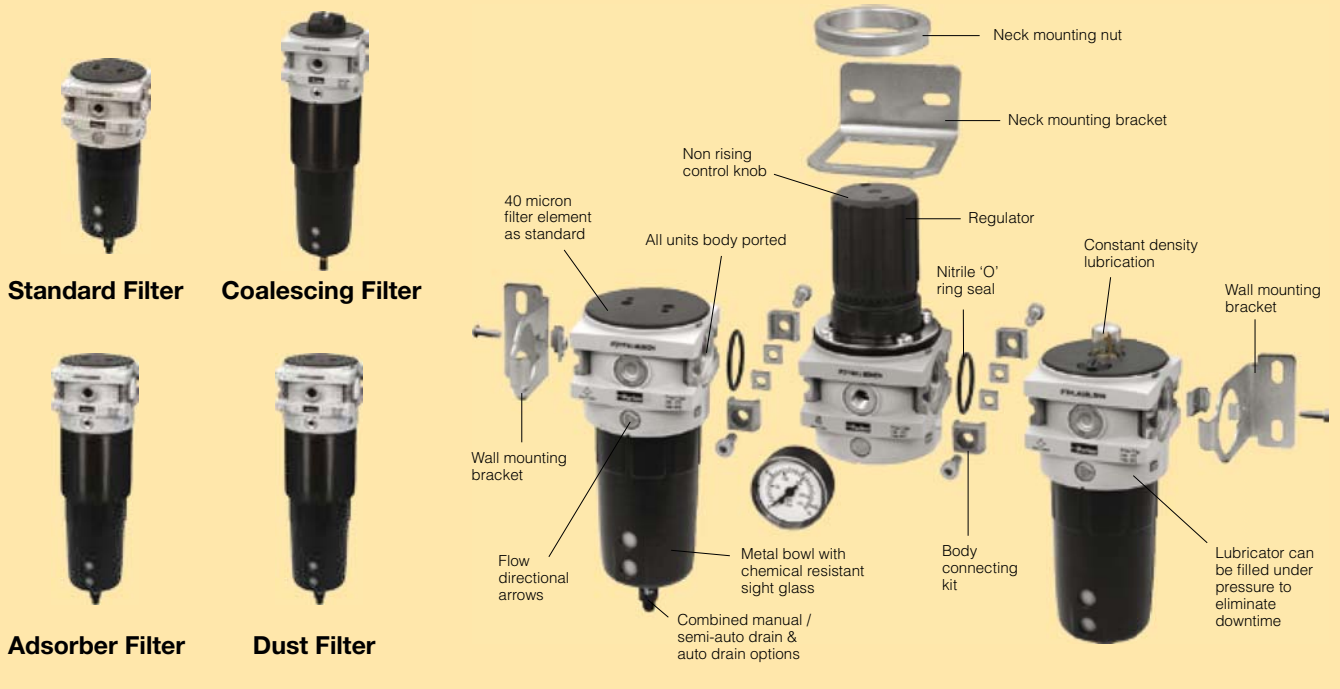
The P3Y system allows units to be connected together, without the use of pipe connectors, saving space; providing constant mounting centres; whilst maintaining a modern aesthetically pleasing appearance.

The P3Y Filters are specially designed to efficiently filter out rust, dirt, moisture and other impurities from compressed air lines. Operation is fully automatic with a minimum of pressure drop. Coalescing filters and adsorber filters for high purity air are also included in the P3Y series.

The P3Y Regulators are designed to provide quick response and accurate pressure regulation for the most demanding hi-flow industrial applications. The rolling diaphragm was designed for long trouble-free operation and will not rupture or tear under high cycle or other demanding applications.



**Selection of Filters**





## DECLARATION



We **Parker Hannifin Manufacturing Austria GmbH**  
**Pneumatic Division**  
**Dr. Alexander Schärfstrasse 12**  
**2700 Wiener Neustadt**  
**Austria**

Product	Series	Category
Filter	P3YFA	for zone 1, 21
Regulator	P3YRA	for zone 1, 21
Filter regulator	P3YEA	for zone 1, 21
Lubricator	P3YLA	for zone 1, 21
Ball Valve	P3YVA	for zone 1, 21
Manifold	P3YMA	for zone 1, 21

### For non-fitted solenoid product

Soft Start & Dump Valve	P3YTA	for zone 1, 21
Soft Start Valve	P3YSA	for zone 1, 21
Dump Valve	P3YDA	for zone 1, 21

Following Ignition Hazard Assessments performed on the non-electrical products listed above, in accordance with the requirements of EN 13463-1:2009, it was considered that the equipment does not contain its own source of ignition, and therefore is not within the scope of directive 94/9/EC.

The products can be used in a Group II Category 2 environment assuming that the ATEX Directive and the following conditions are complied with:

- Installation and maintenance of the product must be undertaken by qualified personnel.
- Do not mount the products in an area where impact may occur.
- Filters must be used to limit the introduction of particles and to capture particles generated in service.
- Supply air quality must be within ISO 8573-1:2010 Class 1.4.2.
- Maximum working temperature to be as stated on product label.
- WARNING – pulsating pressure and/or a closed circuit can generate heat.
- Deposits of dust on the product must not exceed 5mm thickness.  
Refer to technical file for surface areas of plastics.  
The unit must be earthed via the compressed air supply line.
- The unit must not come into contact with liquid solvents, acids or alkalis.  
Refer to technical file for chemicals known to be incompatible.  
Product cleaning must be undertaken using a method complying with the specification of the ATEX zone, preferably by using mild soap and water or antistatic products.
- **Regulators, Filter Regulators:**  
Do not use Regulators or Filter Regulators within systems that can create vibration within the Regulator/Filter Regulator unit.
- **Solenoid Operated Valves:**  
Are suitable for use in an ATEX environment, (Group II Category 2) providing ATEX approved solenoids are fitted.
- Technical file available on request.

Approved by:

**E. Bauregger** ( Location Engineering Manager )

- Integral 3/4 or 1" ports (BSPP or NPT)
- High efficiency element as standard
- Excellent water removal efficiency
- Robust but lightweight aluminium construction
- Secondary pressure ranges 12 and 16 bar
- Rolling diaphragm for extended life
- Secondary aspiration plus balanced poppet provides quick response and accurate pressure regulation.
- Low temperature -40°C with Regulators/Filters and Filter Regulators using combined manual/semi auto drain as standard without pressure gauge.



Operating information		Flow characteristics		
Working pressure:	Max 17.5 bar	<b>Flow dm<sup>3</sup>/s</b>	<b>3/4</b>	<b>1"</b>
Working temperature:	-40 °C to +60 °C	Filter	116	119
		Dust Filter	137	145
		Coalescing Filter	49	59
		Adsorber Filter	47	50
		Regulator	155	321
		Filter Regulator	190	237
		Lubricator	162	184

**Filters** - 40 micron element

Port size	Description	Order Code
G3/4	Manual drain/Semi auto	<b>P3YFA16GSCN</b>
G3/4	Auto drain	<b>P3YFA16GSAN</b>
G1"	Manual drain / Semi auto	<b>P3YFA18GSCN</b>
G1"	Auto drain	<b>P3YFA18GSAN</b>
	Mounting bracket	<b>P3YKA00CW</b>

**Dust Filters** - 1 micron element

Port size	Description	Order Code
G3/4	Manual drain/Semi auto	<b>P3YFA162SCN</b>
G3/4	Auto drain	<b>P3YFA162SAN</b>
G1"	Manual drain / Semi auto	<b>P3YFA182SCN</b>
G1"	Auto drain	<b>P3YFA182SAN</b>

**Regulators** - relieving type - non relieving options available

Port size	Description	Order Code
G3/4	12 bar relieving	<b>P3YRA16BNEN</b>
G3/4	12 bar relieving + gauge	<b>P3YRA16BNFN</b>
G1"	12 bar relieving	<b>P3YRA18BNEN</b>
G1"	12 bar relieving + gauge	<b>P3YRA18BNFN</b>
G3/4	12 bar relieving, lockable	<b>P3YRA16BAEN</b>
G3/4	12 bar relieving, lockable + gauge	<b>P3YRA16BAFN</b>
G1"	12 bar relieving, lockable	<b>P3YRA18BAEN</b>
G1"	12 bar relieving, lockable + gauge	<b>P3YRA18BAFN</b>

**Pressure Gauges**

	Order Code
0 - 10 bar	<b>KG8012-00</b>
0 - 16 bar	<b>KG8013-00</b>

**Coalescing Filters** - 0.01 micron element

Port size	Description	Order Code
G3/4	Coalescing 0.01µm, manual/semi auto drain	<b>P3YFA16DSCN</b>
G3/4	Coalescing Filter 0.01µm, auto drain	<b>P3YFA16DSAN</b>
G1"	Coalescing 0.01µm, manual/semi auto drain	<b>P3YFA18DSCN</b>
G1"	Coalescing Filter 0.01µm, auto drain	<b>P3YFA18DSAN</b>

**Adsorber Filters**

Port size	Description	Order Code
G3/4	Adsorber, manual drain	<b>P3YFA16ASCN</b>
G1"	Adsorber, manual drain	<b>P3YFA18ASCN</b>

**Lubricators**

Port size	Description	Order Code
G3/4	Oil mist, fill under pressure	<b>P3YLA16LSNN</b>
G1"	Oil mist, fill under pressure	<b>P3YLA18LSNN</b>

**Filter/Regulators** - relieving type - non relieving options available

Port size	Description	Order Code
G3/4	12 bar, relieving manual/semi auto drain	<b>P3YEA16GSCBNEN</b>
G3/4	12 bar, relieving auto drain	<b>P3YEA16GSABNEN</b>
G3/4	12 bar, relieving manual/semi auto + gauge	<b>P3YEA16GSCBNFN</b>
G3/4	12 bar, relieving auto drain + gauge	<b>P3YEA16GSABNFN</b>
G1"	12 bar, relieving manual/semi auto drain	<b>P3YEA18GSCBNEN</b>
G1"	12 bar, relieving auto drain	<b>P3YEA18GSABNEN</b>
G1"	12 bar, relieving manual/semi auto + gauge	<b>P3YEA18GSCBNFN</b>
G1"	12 bar, relieving auto drain + gauge	<b>P3YEA18GSABNFN</b>

## Combined Soft Start Dump Valve and Remote Operated Dump Valve

Port size	Description	Order Code
G3/4	Solenoid operated (not included)	<b>P3YTA16SCN0000</b>
G3/4	24VDC 22mm coil	<b>P3YTA16SCNB2CN</b>
G3/4	Air pilot operated	<b>P3YTA16PPN</b>
G1"	Solenoid operated (not included)	<b>P3YTA18SCN0000</b>
G1"	24VDC 22mm coil	<b>P3YTA18SCNB2CN</b>
G1"	Air pilot operated	<b>P3YTA18PPN</b>

## Soft Start Valve

Port size	Description	Order Code
G3/4	Soft start valve	<b>P3YSA16Y0N</b>
G1"	Soft start valve	<b>P3YSA18Y0N</b>

## Neck mounting bracket kit

Description	Order Code
Neck mounting bracket kit	<b>P3YKA00MS</b>

## Wall mounting brackets

Description	Order Code
Wall mounting brackets	<b>P3YKA00CW</b>

## Pilot Operated Regulator

Port size	Description	Order Code
G3/4	Pilot operated regulator	<b>P3YRA16BPPN</b>
G1"	Pilot operated regulator	<b>P3YRA18BPPN</b>

## Modular Ball Valve

Port size	Description	Order Code
G3/4	Modular Ball Valve	<b>P3YVA16LBN</b>
G1"	Modular Ball Valve	<b>P3YVA18LBN</b>

## Modular Manifold

Port size	Description	Width	Order Code
G3/4	Modular Manifold	(80 mm)	<b>P3YMA1V0N</b>
G1"	Modular Manifold	(80 mm)	<b>P3YMA9V0N</b>
G3/4	Modular Manifold	(35 mm)	<b>P3YMA16024N</b>

## Optional Port Block Kits

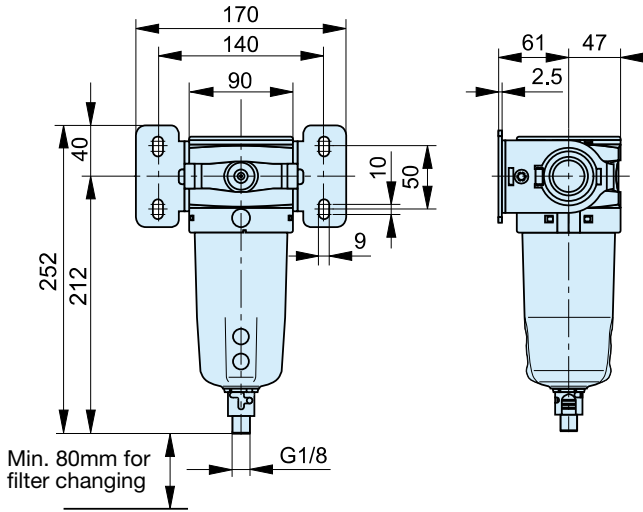
Port size	Description	Order Code
G1 <sup>1</sup> / <sub>4</sub> "	Port block kit - BSPP	<b>P3YKA1ACP</b>
G1 <sup>1</sup> / <sub>2</sub> "	Port block kit - BSPP	<b>P3YKA1BCP</b>
G3/4"	Port block kit - BSPP	<b>P3YKA16CP</b>
G1"	Port block kit - BSPP	<b>P3YKA18CP</b>

## Connector kit

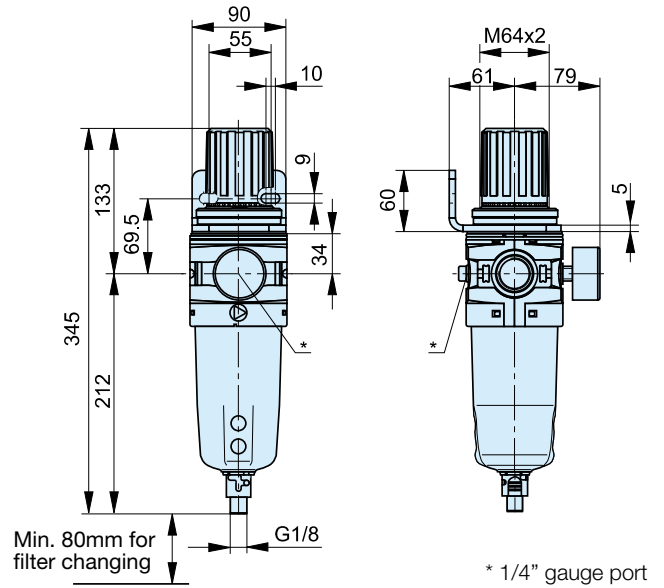
Description	Order Code
Connector kit	<b>P3YKA00CB</b>

**Dimensions (mm)**

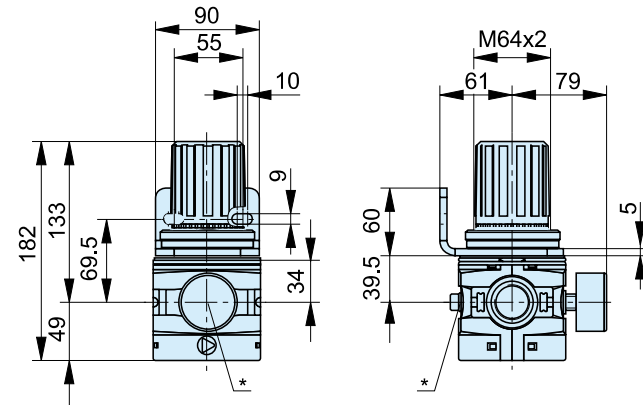
**Filters**



**Filter/Regulators**

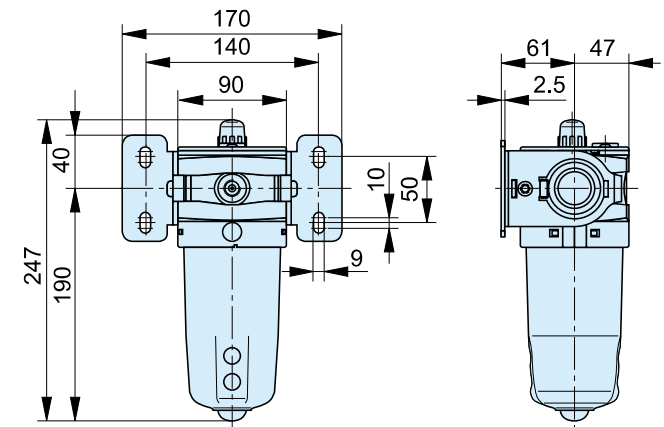


**Regulators**



\* 1/4" gauge port

**Lubricators**



**Service kits**

Description	Order code
5 micron element kit	<b>P3YKA00ESE</b>
40 micron element kit	<b>P3YKA00ESG</b>
Bowl kit with combined manual/semi auto drain	<b>P3YKA00BSC</b>
Bowl kit with auto drain	<b>P3YKA00BSA</b>
Key Lock Kit	<b>P3XKA00AS</b>
Diaphragm kit (relieving type)	<b>P3YKA00RR</b>
Diaphragm kit (non-relieving type)	<b>P3YKA00RN</b>
Angle bracket + metal lock ring	<b>P3YKA00MS</b>
Panel mount nut	<b>P3YKA00MM</b>



## DECLARATION



We **Parker Hannifin Manufacturing Austria GmbH**  
**Pneumatic Division**  
**Dr. Alexander Schärfstrasse 12**  
**2700 Wiener Neustadt**  
**Austria**

Product	Series	Category
Filter	P3ZFA	for zone 1, 21
Regulator	P3ZRA	for zone 1, 21
Lubricator	P3ZLA	for zone 1, 21
Manifold	P3ZMA	for zone 1, 21

### For non-fitted solenoid product

Soft Start & Dump Valve	P3ZTA	for zone 1, 21
Soft Start Valve	P3ZSA	for zone 1, 21
Dump Valve	P3ZDA	for zone 1, 21

Following Ignition Hazard Assessments performed on the non-electrical products listed above, in accordance with the requirements of EN 13463-1:2009, it was considered that the equipment does not contain its own source of ignition, and therefore is not within the scope of directive 94/9/EC.

The products can be used in a Group II Category 2 environment assuming that the ATEX Directive and the following conditions are complied with:

- Installation and maintenance of the product must be undertaken by qualified personnel.
- Do not mount the products in an area where impact may occur.
- Filters must be used to limit the introduction of particles and to capture particles generated in service.
- Supply air quality must be within ISO 8573-1:2010 Class 1.4.2.
- Maximum working temperature to be as stated on product label.
- WARNING – pulsating pressure and/or a closed circuit can generate heat.
- Deposits of dust on the product must not exceed 5mm thickness.  
Refer to technical file for surface areas of plastics.  
The unit must be earthed via the compressed air supply line.
- The unit must not come into contact with liquid solvents, acids or alkalis.  
Refer to technical file for chemicals known to be incompatible.  
Product cleaning must be undertaken using a method complying with the specification of the ATEX zone, preferably by using mild soap and water or antistatic products.
- **Regulators, Filter Regulators:**  
Do not use Regulators or Filter Regulators within systems that can create vibration within the Regulator/Filter Regulator unit.
- **Solenoid Operated Valves:**  
Are suitable for use in an ATEX environment, (Group II Category 2) providing ATEX approved solenoids are fitted.
- Technical file available on request.

Approved by:

**E. Bauregger** ( Location Engineering Manager )