



Nano Mist

Simple. Convincing in the Details

There are innovations that bring selective improvements.

And then there are real innovations.

*Innovations that set **new** standards.*

*Like the **new Parker Moduflex Lite** series.*



New Nano Mist Technology, New Lubricator Concept. Self-Adjusting.

With conventional lubricators, only the oil volume per time unit can be adjusted. If the demand changes, the quantity dispensed still remains constant.

The Moduflex Lite lubricator concept sets new benchmarks here. For the first time, the oil volume is automatically adjusted to the flow rate.

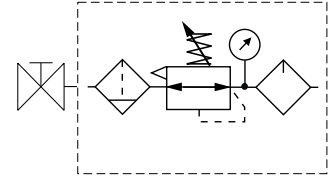
This ensures that there is neither too little nor too much oil in the system, which leads to clear economic and ecological advantages. In addition, with conventional systems, the distance between the lubricator and the equipment has to be less than 8 meters. With larger distances, the dispensed oil is deposited as a wall flow.

The new lubricator principle of the Moduflex Lite allows for distances of up to 40 meters. This opens up new scope for the design of even more efficient production systems.

Popular Combinations



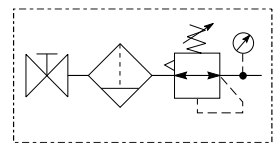
Slide Valve + Filter/Regulator + Lubricator Combinations (50mg/m³)
5 micron element, 8 bar Regulator + Gauge and Wall Mounting Brackets



Port size	Combined Manual/Semi-Auto Drain	Flow dm ³ /s	Weight (g)	Auto Drain	Flow dm ³ /s	Weight (g)
G ¹ / ₂	P3XAA14GECNGPNW	76	1300	P3XAA14GEANGPNW	76	1300
G ³ / ₄	P3XAA16GECNGPNW	77	1300	P3XAA16GEANGPNW	77	1300



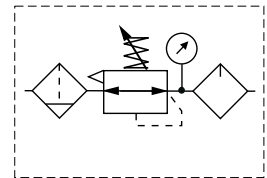
Slide Valve + Filter/Regulator Combinations
5 micron element, 8 bar Regulator + Gauge and Wall Mounting Brackets



Port size	Combined Manual/Semi-Auto Drain	Flow dm ³ /s	Weight (g)	Auto Drain	Flow dm ³ /s	Weight (g)
G ¹ / ₂	P3XAN14GECNGW	105	950	P3XAN14GEANGW	105	950
G ³ / ₄	P3XAN16GECNGW	106	950	P3XAN16GEANGW	106	950



Filter/Regulator + Lubricator Combinations (50mg/m³)
5 micron element, 8 bar Regulator + Gauge and Wall Mounting Brackets



Port size	Combined Manual/Semi-Auto Drain	Flow dm ³ /s	Weight (g)	Auto Drain	Flow dm ³ /s	Weight (g)
G ¹ / ₂	P3XCA14GECNGPNW	76	1000	P3XCA14GEANGPNW	76	1000
G ³ / ₄	P3XCA16GECNGPNW	77	1000	P3XCA16GEANGPNW	77	1000

Options:

P 3 X				G E				W
Filter/Reg + Lubricator	CA	BSPP (G)	1	Combined Manual/Semi Auto Drain	C	0 - 8 bar with gauge	G	
Slide valve + Filter/Reg	AN	NPT *	9	Auto Drain	A	0 - 16 bar with gauge	J	
Slide valve + Filter/Reg + Lubricator	AA							
		1/2	4	Non rise - Standard	N	(50mg/m ³)	PN	Add only for options with lubricator
		3/4	6	Tamperproof - Lockable	A	(5mg/m ³)	SN	

* NPT ports on request
 1/2" size only

- Integral 1/2 or 3/4 ports
- High efficiency 5 micron element as standard
- Excellent water removal efficiency
- Secondary pressure ranges 4, 8 and 16 bar
- Rolling diaphragm for extended life
- Secondary aspiration plus balanced poppet provides quick response and accurate pressure regulation.
- Low temperature -40°C with Regulators/Filters and Filter Regulators using combined manual/semi auto drain as standard without pressure gauge.



Operating information		Flow characteristics		
Working pressure:	Max 16 bar	Flow dm³/s	1/2	3/4
Working temperature:	-40 °C to +60 °C	Filter	55	57
		Coalescing Filter	24	24
		Adsorber Filter	18	18
		Regulator	122	134
		Filter Regulator	111	113
		Lubricator	78	78

Filters - 5 micron element

Port size	Description	Order Code
G1/2	Manual drain/Semi auto	P3XFA14EGCN
G1/2	Auto drain	P3XFA14EGAN
G3/4	Manual drain / Semi auto	P3XFA16EGCN
G3/4	Auto drain	P3XFA16EGAN
	Mounting bracket	P3XKA00MW

Regulators - 4 & 8 bar - non relieving options available

Port size	Description	Order Code
G1/2	8 bar relieving	P3XRA14BNNN
G1/2	8 bar relieving + gauge	P3XRA14BNGN
G3/4	8 bar relieving	P3XRA16BNNN
G3/4	8 bar relieving + gauge	P3XRA16BNGN
G1/2	8 bar relieving, tamperproof	P3XRA14BANN
G1/2	8 bar relieving, tamperproof + gauge	P3XRA14BAGN
G3/4	8 bar relieving, tamperproof	P3XRA16BANN
G3/4	8 bar relieving, tamperproof + gauge	P3XRA16BAGN
G1/2	Air-pilot regulator	P3XRA14BPPN
G3/4	Air-pilot regulator	P3XRA16BPPN

Lubricators

Port size	Description	Order Code
G1/2	Oil mist, fill under pressure (50mg/m³)	P3XLA14PGNN
G3/4	Oil mist, fill under pressure (50mg/m³)	P3XLA16PGNN
G1/2	Oil mist, fill under pressure (5mg/m³)	P3XLA14SGNN
G3/4	Oil mist, fill under pressure (5mg/m³)	P3XLA16SGNN
	Lubricator OIL VG15:ISO3448 - 100ml	P3XKA00PPA
	Lubricator OIL VG32-1 Litre	P3YKA00PPBB

Coalescing Filters - 0.01 micron element

Port size	Description	Order Code
G1/2	Coalescing 0.01µm, manual/semi auto drain	P3XFA14DGCN
G1/2	Coalescing Filter 0.01µm, auto drain	P3XFA14DGAN
G3/4	Coalescing 0.01µm, manual/semi auto drain	P3XFA16DGCN
G3/4	Coalescing Filter 0.01µm, auto drain	P3XFA16DGAN

Adsorber Filters

Port size	Description	Order Code
G1/2	Adsorber, manual/semi auto drain	P3XFA14AGCN
G3/4	Adsorber, manual/semi auto drain	P3XFA16AGCN

Filter/Regulators

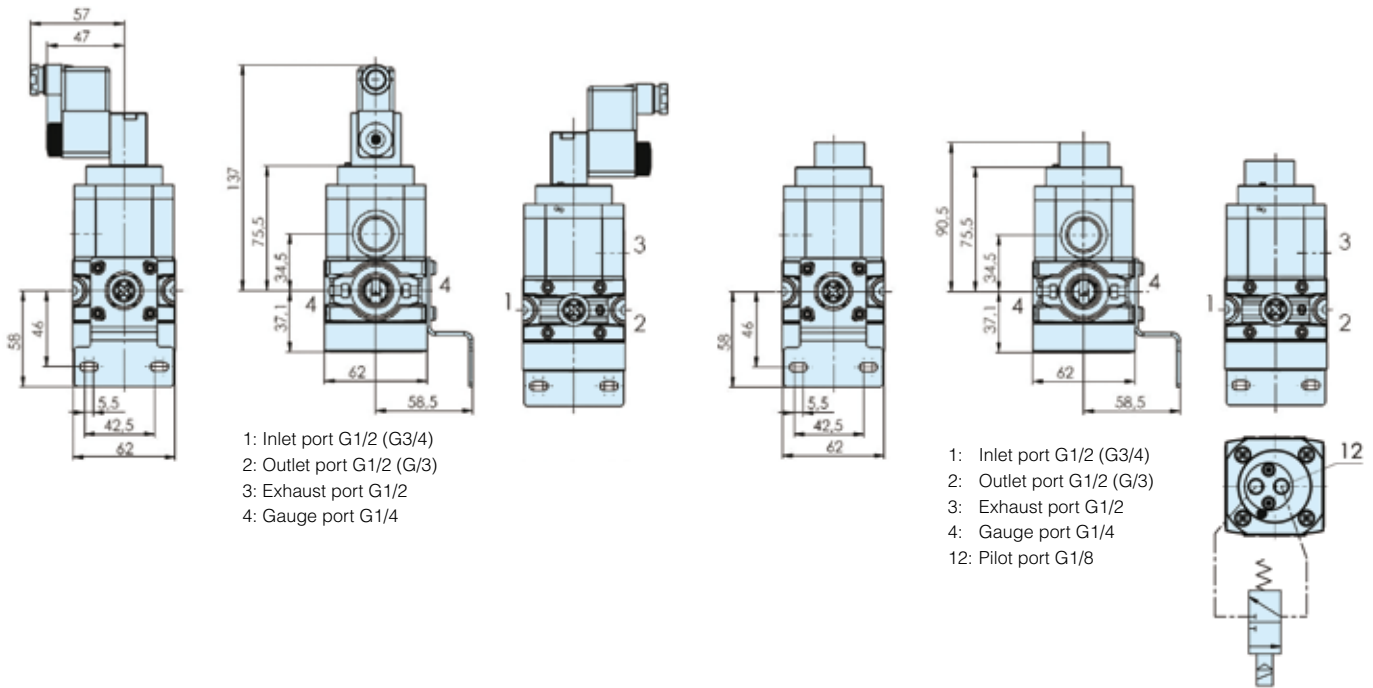
4 and 16 bar, non relieving options available

Port size	Description	Order Code
G1/2	8 bar, relieving manual/semi auto drain	P3XEA14EGCBNNN
G1/2	8 bar, relieving auto drain	P3XEA14EGABNNN
G1/2	8 bar, relieving manual/semi auto + gauge	P3XEA14EGCBNGN
G1/2	8 bar, relieving auto drain + gauge	P3XEA14EGABNGN
G3/4	8 bar, relieving manual/semi auto drain	P3XEA16EGCBNNN
G3/4	8 bar, relieving auto drain	P3XEA16EGABNNN
G3/4	8 bar, relieving manual/semi auto + gauge	P3XEA16EGCBNGN
G3/4	8 bar, relieving auto drain + gauge	P3XEA16EGABNGN

Pressure Gauges

	Order Code
0 - 10 bar	KG8012-00
0 - 16 bar	KG8013-00

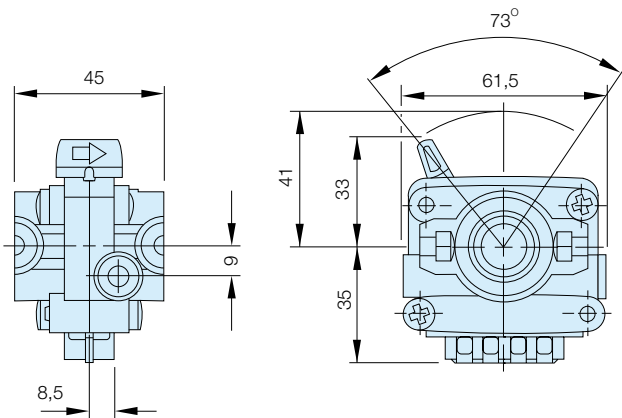
Dimensions (mm)



Modular Slide Valve

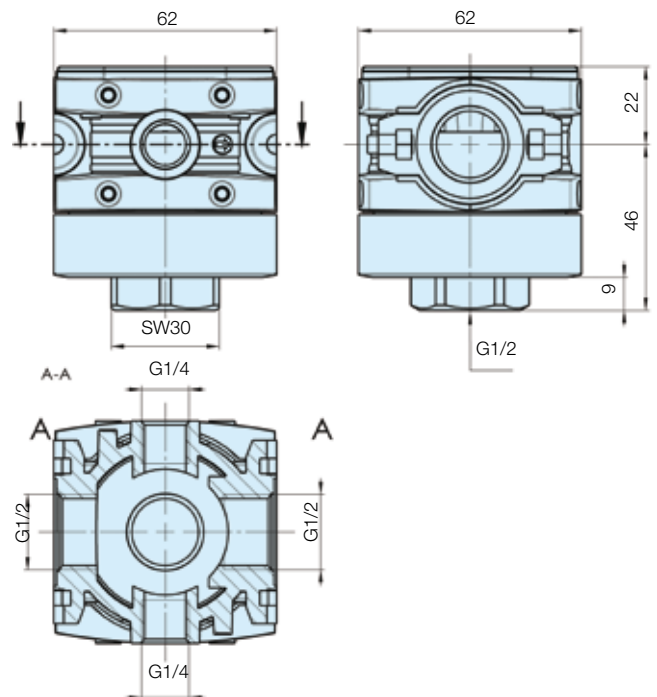
P 3 X	VA			LSN
BSPP (G)	1	G1/2	4	
NPT *	9	G3/4	6	

* NPT ports on request (1/2" size only)



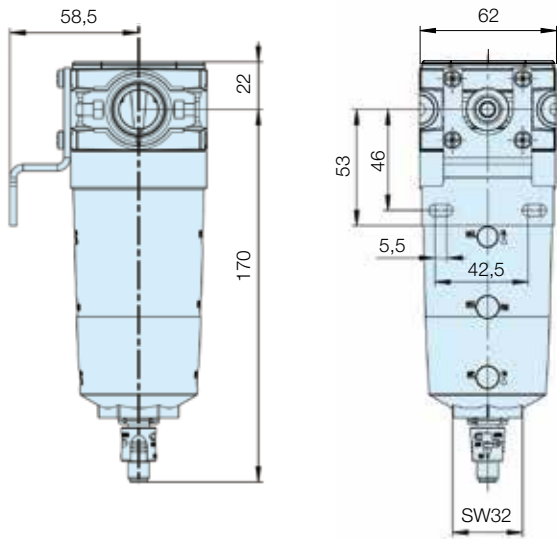
Modular Manifold

Description	Order code	Order code	Weight (g)
	BSPP	NPT	
G1/2"	P3XMA1V0N	P3XMA9V0N	170
G3/4"	P3XMA160N		170

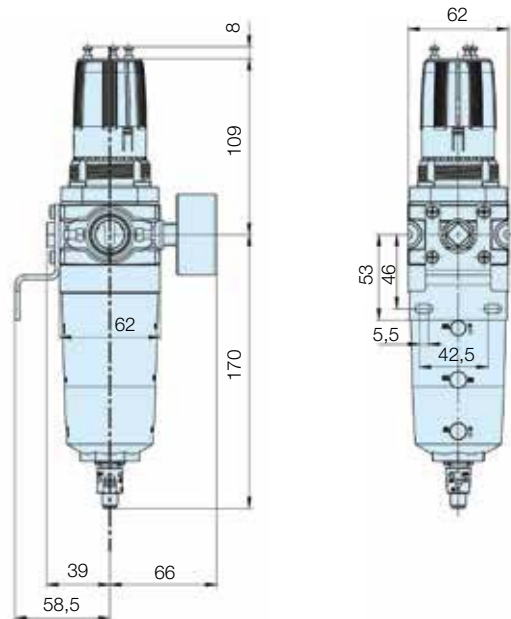


Dimensions (mm)

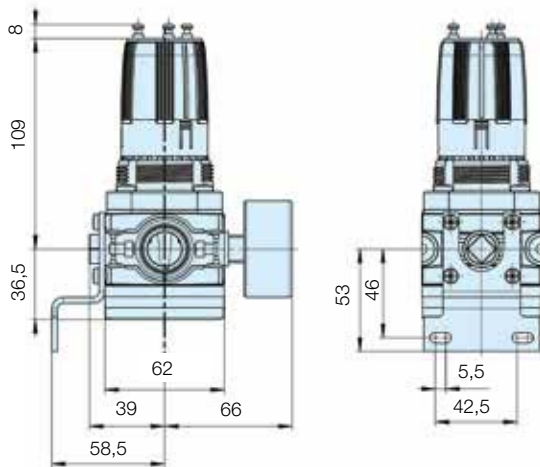
Filters



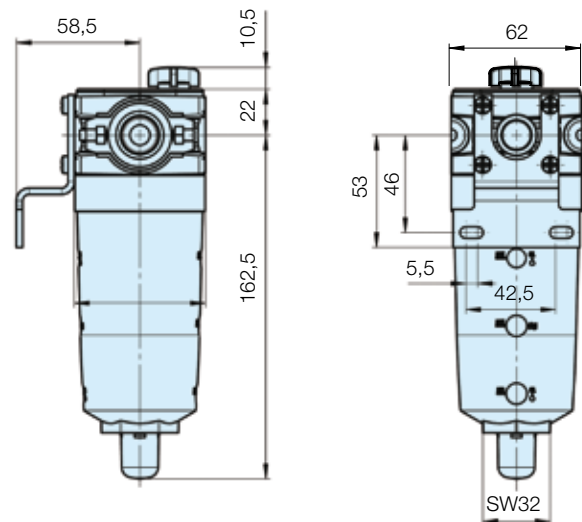
Filter/Regulators



Regulators



Lubricators



Service kits

Description	Order code
Adsorber element kit	P3XKA00ESA
0.01 micron element kit	P3XKA00ESC
1 micron element kit	P3XKA00ES9
5 micron element kit	P3XKA00ESE
40 micron element kit	P3XKA00ESG
Bowl kit with combined manual/semi auto drain	P3XKA00BSC
Bowl kit with auto drain	P3XKA00BSA
Diaphragm kit (relieving type)	P3XKA00RR
Diaphragm kit (non-relieving type)	P3XKA00RN
Connecting kit	P3XKA00CB

Accessories

Description	Order code
Connector kit	P3XKA00CB
Connector O'ring kit (5)	P3XKA04CY
Tamper-proof knob kit (keylock)	P3XKA00AS
Wall bracket kit	P3XKA00MW
Panel mount nut	P3XKA00MM

- Removes water vapour & lowers the PDP
- Compact design
- No electrical connections necessary
- Suitable for hazardous environments
- No moving parts
- Maintenance & wear free
- No change in air consumption
- Low pressure drop less than 0.1 bar
- Minimal purge air consumption
- Modular design - compatible with the P3X air prep series



Operating information

Operating pressure range:	5 to 16 bar
Temperature range:	2 °C to 60 °C
Pressure drop:	0.1 bar
Purge air (at 20K PDP reduction):	10%
Max Flow at inlet (size 50):	2800 l/m

Note:

For optimum system performance and maintenance free conditions, Parker recommend the dryer is preceded with a 5 micron and 0.01 coalescer filter from the P3X series.

Membrane dryer

Port size	Size	Description	Order Code
G1/2	10	Membrane dryer with return tube - size 10	P3XJA14CA1N
G1/2	15	Membrane dryer with return tube - size 15	P3XJA14CB1N
G1/2	20	Membrane dryer with return tube - size 20	P3XJA14CC1N
G1/2	25	Membrane dryer with return tube - size 25	P3XJA14CD1N
G1/2	35	Membrane dryer serial type - size 35	P3XJA14CE1N
G1/2	50	Membrane dryer serial type - size 50	P3XJA14CF1N



Note: For NPT threaded connections replace the 6th digit from a 1 to 9 ie: **P3XJA94CA1N**

Wall mounting bracket kit

Order Code

P3XKA00MWD

Note:

For optimum system performance and maintenance free conditions, Parker recommend the dryer is preceded with a 5 micron and 0.01 coalescer filter from the P3X series.

Complete Filter / Dryer System combinations available on request



F + Fc + MD



F + Fc + MD + R



F + Fc + MD + R + Fa

Selection Criteria

To correctly select the dryer best suited for your application, the following information is required to ensure optimum performance and trouble free operation.

- Maximum inlet pressure dew point (°C)
- Outlet PDP (°C)
- Working pressure (bar)
- Maximum inlet flow rate (m³/h)

Conversion factor for calculation of corrected flow rate

Operating pressure range p (bar)	5	6	7	8	9	10	11	12	13	14	15	16
Conversion factor f _p	0.57	0.78	1.0	1.21	1.42	1.64	1.85	2.06	2.28	2.49	2.70	2.92

Working Example:

Selecting a dryer with an inlet pressure dew point of 35°C, a PDP reduction of 35K with a working / operating pressure of 6 bar and an inlet flow of 11 m³/h.

Step 1

From the correction factor table select the required pressure (6 bar) and read below the corrected factor value (0.78)

Step 2

To adjust the flow for your application, divide the required flow by the 0.78 correction factor

$$\text{Sizing capacity} = \frac{\text{Actual flow}}{\text{Correction factor}} = \frac{11 \text{ m}^3/\text{h}}{0.78} = 14.1 \text{ m}^3/\text{h}$$

Step 3

Plot the values on the selection graph (below). Where the dew point reduction value of 35K intersects with the corrected flow value of 14.1 m³/h, select the dryer flow curve which is equal or above the intersection point. For example: the optimum dryer would be **size 25 (P3XJA14CD1N)**

