

- Compact body ported units.
- Port size G¹/₄
- Unique deflector plate ensuring maximum water and particulate removal.
- Solid control piston with lip seal for extended life.
- Proportional oil delivery over a wide range of air flows.
- Tamperproof options available.



Operating information		Flow characteristics	
Working pressure:	Max 10 bar	Flow dm³/s	1/4
Working temperature:	-10 °C to +52 °C	Filter	30.5
		Coalescing Filter	5.9
		Adsorber Filter	5.9
		Regulator	12.9
		Regulator - Brass	9.8
		Filter Regulator	9.2
		Lubricator	23.3

Filters

Port size	Description	Order Code
G1/4	Poly bowl - Manual drain - 5µ	P3LFA12EPPN
G1/4	Poly bowl - Pulse drain - 5µ	P3LFA12EPSN
G1/4	Poly bowl - Manual drain - 40µ	P3LFA12GPPN
G1/4	Poly bowl - Pulse drain - 40µ	P3LFA12GPSN
	Individual mounting bracket - P3LFA / P3LLA	P3LKA00MW

Regulators - 2 & 4 bar - relieving type & non relieving type

Port size	Description	Order Code
G1/4	8 bar relieving	P3LRA12BNNP
G1/4	8 bar relieving + gauge	P3LRA12BNGP
G1/4	8 bar relieving + Tamperproof	P3LRA12BANP
G1/4	8 bar relieving + gauge - Tamperproof	P3LRA12BAGP

Regulators (Brass) - 2, 4 & 16 bar-relieving type & non relieving type

Port size	Description	Order Code
G1/4	8 bar relieving	P3LRX12BNNP
G1/4	8 bar relieving + gauge	P3LRX12BNGP
G1/4	16 bar relieving	P3LRX12BNHP
G1/4	8 bar relieving + Tamperproof	P3LRX12BANP
G1/4	8 bar relieving + gauge - Tamperproof	P3LRX12BAGP
G1/4	16 bar relieving + Tamperproof	P3LRX12BAHP

Pressure Gauges

40mm (1 1/2") Round 1/8" center back mount		Order Code
0-30 PSIG / 0-2 bar	(2)	KZ8810-00
0-58 PSIG / 0-4 bar	(4)	KZ8811-00
0-160 PSIG / 0-10 bar	(10)	KZ8813-00

Coalescing Filters - 0.01µ element

Port size	Description	Order Code
G1/4	Poly bowl - Manual drain - 0.01µ	P3LFA12CPPN
	Individual mounting bracket - P3LFA / P3LLA	P3LKA00MW

Adsorber Filters

Port size	Description	Order Code
G1/4	Poly bowl - Adsorber	P3LFA12APPN

Filter/Regulators - 2 & 4 bar pressure, 40µ available

Port size	Description	Order Code
G1/4	8 bar relieving - Poly bowl Manual drain - 5µ	P3LEA12EPPBNNP
G1/4	8 bar relieving - Poly bowl Semi auto-drain - 5µ	P3LEA12EPSBNNP
G1/4	8 bar relieving - Poly bowl Manual drain + Gauge - 5µ	P3LEA12EPPBNGP
G1/4	8 bar relieving - Poly bowl Semi auto-drain + Gauge - 5µ	P3LEA12EPSBNGP

Lubricators

Port size	Description	Order Code
G1/4	Poly bowl - No drain	P3LLA12LPNN
	Lubricator OIL VG32-1 Litre	P3YKA00PPBB

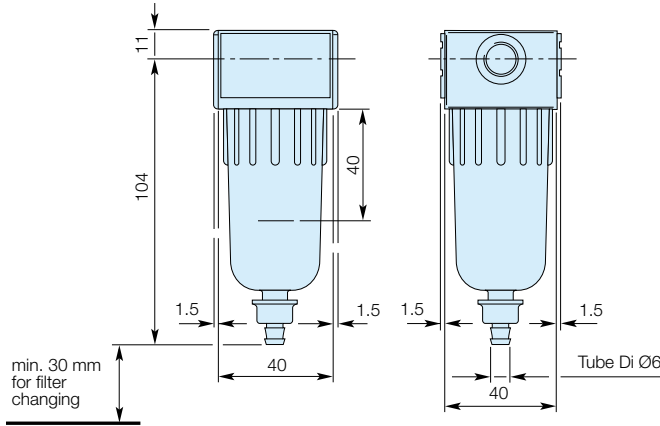
Filter/Regulator + Lubricator Combination

Available in boxed quantities of 25

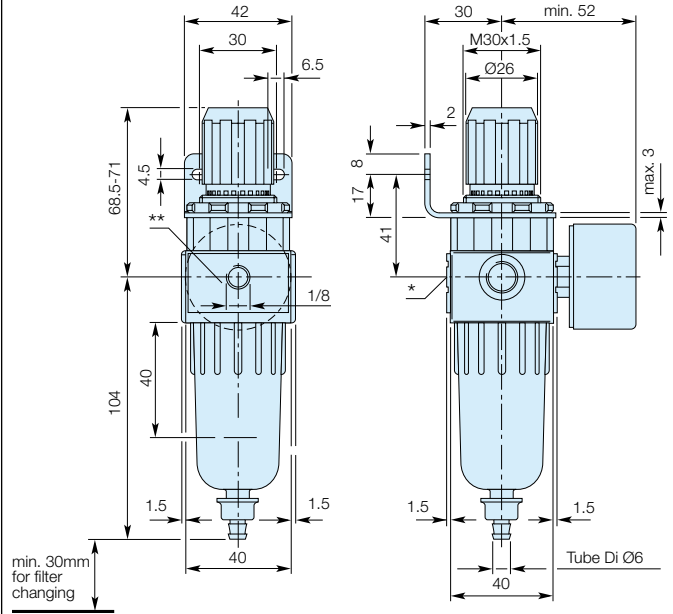
Port size	Description	Order Code
G1/4	Manual push drain	P3LCA12PEPNGLNWQ25
G1/4	Semi auto drain	P3LCA12PESNGLNWQ25

Dimensions (mm)

Filters

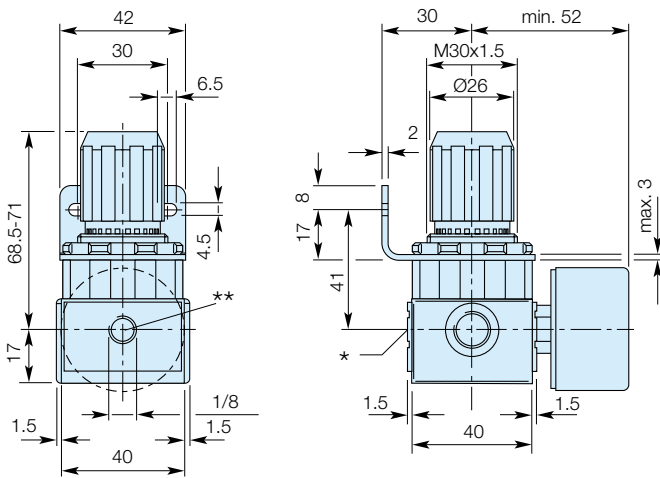


Filter/Regulators



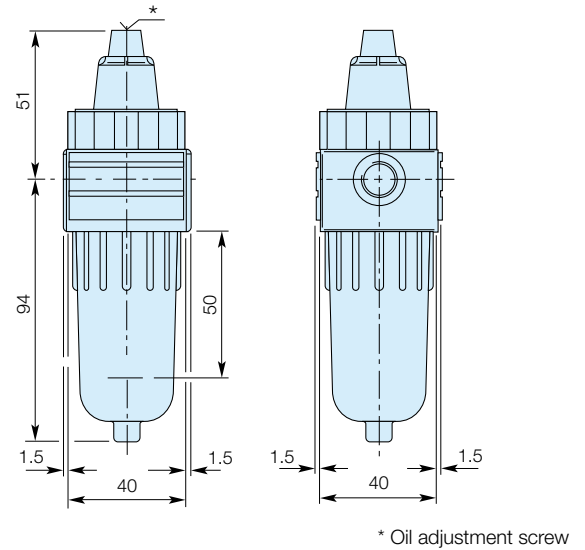
* On delivery the screw plug is not assembled
 ** Two opposite gauge ports 1/8"

Regulators



* On delivery the screw plug is not assembled
 ** Two opposite gauge ports 1/8"

Lubricators



Service kits

Description	Order code
Plastic bowl / manual push drain	P3LKA00BPP
Plastic bowl / semi-auto drain	P3LKA00BPS
Plastic bowl - no drain	P3LKA00BPN
5µ particle filter element	P3LKA00ESE
40µ Element Kit	P3LKA00ESG
0.01µ coalescing filter element	P3LKA00ESC
Activated carbon adsorber filter element	P3LKA00ESA

Accessories

Description	Order code
Connector kit (E/R + L/F)	P3LKA00CB1
Connector kit (E/R + M + L)	P3LKA00CB2
Connector kit (E/R + F + F)	P3LKA00CB3
Connector kit (F + L/F)	P3LKA00CB4
Manifold block	P3LMA12020C
Mounting bracket (F/L)	P3LKA00MW
Panel mount nut - Aluminium	P3LKA00MM
Panel mount nut - Plastic	P3LKA00MP
Angle Bracket (uses panel mount threads)	P3LKA00MR