

P1D Pneumatic Cylinders

According to ISO 15552

The innovative P1D, a **future-proof** generation of **ISO** cylinders.



P1D ISO Cylinder family

The P1D series is a future-proof generation of ISO cylinders. P1D complies with the current ISO 15552 previous standard ISO 6431, VDMA 24562 installation dimension standards.

The cylinders are double-acting, magnetic as standard for use with sensors and feature a new design of air cushioning. Available in Ø32mm – Ø125mm bore size the full P1D range includes:-

P1D-S series. This series is the ultimate in ISO pneumatic cylinders and is suitable for virtually any application. Options include the tie rod design, smooth profile, ultra clean cylinders for use in the food industry and all the variants including through rod and piston rod locking versions.

P1D-B series. This series features a profile design and is the basic ISO cylinder for simple applications where no special options are required. This series is suitable for general industrial applications

All mounting and sensor options are common to all P1D cylinders.

Design Variants

P1D-S Premier Cylinders

The P1D-S series is the premier in ISO pneumatic cylinders. With various piston rod materials, seal options and supported by a full range of ISO mountings the P1D-S series is suitable for a wide range of applications.



P1D-B Basic Cylinders

The P1D-B series features a profile design and is the value line ISO cylinder for basic applications where no special options are required. This series is suitable for general industrial applications and is supported by a full range of ISO mountings.



P1D-C Ultra Clean Cylinders

This series offers an ultra clean external design of cylinders that are suitable for applications that require a clean profile. With particular design features for the food and packaging industries this product can also be used for applications on vehicles, in sawmills and bag-filling industries where a clean design is important.



P1D-C Pro Clean Cylinders

This series of clean design cylinders offers two T slots within one face of the tube allowing the possibility to add sensors. The position of the T slots can be specified on any single face using the order code key. These cylinders have a clean design but are intended for applications where sensors are required.



P1D-T Tie Rod Cylinders

The P1D-T range of tie rod cylinders is intended for use in a wide range of applications. Careful design and high quality manufacture throughout ensure long service life and optimum economy. Mounting dimensions fully in accordance with ISO 15552 (ISO 6431 and CETOP RP52P) greatly simplifies installation and world-wide interchangeability.



P1D-X High and Low Temperature Cylinders

For extreme conditions these cylinders for high and low temperatures have materials and sealing systems specially designed for their particular temperature ranges. End covers and pistons are made entirely from metal, to give optimum function at **high** or **low** temperature in combination with seals made from specially tested materials and special grease.



P1D-L Rod Locking Cylinders

P1D-L is a series of extremely compact rod lock cylinders for demanding applications. This version allows the piston rod to be locked in any position but can also be used as a brake (limits apply) thanks to the rigid design. With helical grooves on the precision clamping sleeves the locking function allows for applications where the piston rod is exposed to liquids and contamination.



Design Variants

Through Piston Rod Cylinders

All P1D cylinders in all bores, Ø32-125 mm, are available with a through rod. Cylinders with a through rod can take higher side forces thanks to the double support for the piston rod. In addition, this design makes it easier to install external position sensors.



P1D-T 3 and 4 Position Cylinders

By installing two cylinders with the same or different stroke, it is possible to build a working unit with three or four positions. This type of unit is available as factory-fitted P1D tie-rod cylinders (P1D-T) in all bores, Ø32-125 mm. Other P1D cylinders can be flange mounted back-to-back with a standard mounting



P1D-T Tandem Cylinders

The P1D is also available as a tandem cylinder, i.e. two cylinders connected in series. This cylinder unit has almost twice the force, which is a great advantage in restricted spaces. Tandem cylinders are available as tie-rod cylinders, P1D-T, in all bores Ø32-125 mm.



P1D-V with valve built on

P1D Standard can be ordered with a factory-fitted valve and piping. The valve is the robust and compact Viking series, with product code P2L-A (for cylinder bores 32-63), P2L-B (for cylinder bores 80-100) and P2L-D (for cylinder bore 125).



Alternative Piston Rod Materials

All P1D cylinders in all bores, Ø32-125 mm, can be ordered with the following piston rod materials:

- Steel, hard chromed
- Stainless steel, roller polished (standard)
- Acid-proof steel, roller polished
- Stainless steel, hard chromed



Operation with Dry Piston Rod

In many applications, primarily in the food industry, the cylinders are cleaned frequently. This means that the film of grease on the piston rod is washed off, which puts special demands on the materials and the design of the piston rod seal system (scraper ring and piston rod seal). A piston rod seal system specially designed for dry rod operation is available as an option for this type of application, for all bores of P1D cylinders. The system has a specially designed L-shaped seal and the material is self-lubricating, high molecular weight plastics (HDPE).



P1D-S Standard Cylinders

The P1D-S series is the premier in ISO pneumatic cylinders. With various piston rod materials, seal options and supported by a full range of ISO mountings the P1D-S series is suitable for a wide range of applications.

- Available in 32 to 125 mm bores
- PUR seals for long service life
- Drop-in sensors
- Corrosion resistant design
- Magnetic piston as standard
- Lubricated with food grade grease



Operating information

Working pressure:	Max 10 bar
Seals / Temperature options	
Standard:	-20°C to +80°C
Cylinders for low pressure hydraulic operation:	Ø32-125mm
ATEX approval:	CE Ex IIGD c T4 120°C

For more information see www.parker.com/euro_pneumatic

P1D Standard

Ø32mm - (G¹/₈)

Stroke mm	Order code
25	P1D-S032MS-0025
40	P1D-S032MS-0040
50	P1D-S032MS-0050
80	P1D-S032MS-0080
100	P1D-S032MS-0100
125	P1D-S032MS-0125
160	P1D-S032MS-0160
200	P1D-S032MS-0200
250	P1D-S032MS-0250
320	P1D-S032MS-0320
400	P1D-S032MS-0400
500	P1D-S032MS-0500

Ø40mm - (G¹/₄)

Stroke mm	Order code
25	P1D-S040MS-0025
40	P1D-S040MS-0040
50	P1D-S040MS-0050
80	P1D-S040MS-0080
100	P1D-S040MS-0100
125	P1D-S040MS-0125
160	P1D-S040MS-0160
200	P1D-S040MS-0200
250	P1D-S040MS-0250
320	P1D-S040MS-0320
400	P1D-S040MS-0400
500	P1D-S040MS-0500

Ø50mm - (G¹/₄)

Stroke mm	Order code
25	P1D-S050MS-0025
40	P1D-S050MS-0040
50	P1D-S050MS-0050
80	P1D-S050MS-0080
100	P1D-S050MS-0100
125	P1D-S050MS-0125
160	P1D-S050MS-0160
200	P1D-S050MS-0200
250	P1D-S050MS-0250
320	P1D-S050MS-0320
400	P1D-S050MS-0400
500	P1D-S050MS-0500

Ø63mm - (G³/₈)

Stroke mm	Order code
25	P1D-S063MS-0025
40	P1D-S063MS-0040
50	P1D-S063MS-0050
80	P1D-S063MS-0080
100	P1D-S063MS-0100
125	P1D-S063MS-0125
160	P1D-S063MS-0160
200	P1D-S063MS-0200
250	P1D-S063MS-0250
320	P1D-S063MS-0320
400	P1D-S063MS-0400
500	P1D-S063MS-0500

Ø80mm - (G³/₈)

Stroke mm	Order code
25	P1D-S080MS-0025
40	P1D-S080MS-0040
50	P1D-S080MS-0050
80	P1D-S080MS-0080
100	P1D-S080MS-0100
125	P1D-S080MS-0125
160	P1D-S080MS-0160
200	P1D-S080MS-0200
250	P1D-S080MS-0250
320	P1D-S080MS-0320
400	P1D-S080MS-0400
500	P1D-S080MS-0500

Ø100mm - (G¹/₂)

Stroke mm	Order code
25	P1D-S100MS-0025
40	P1D-S100MS-0040
50	P1D-S100MS-0050
80	P1D-S100MS-0080
100	P1D-S100MS-0100
125	P1D-S100MS-0125
160	P1D-S100MS-0160
200	P1D-S100MS-0200
250	P1D-S100MS-0250
320	P1D-S100MS-0320
400	P1D-S100MS-0400
500	P1D-S100MS-0500

Ø125mm - (G¹/₂)

Stroke mm	Order code
25	P1D-S125MS-0025
40	P1D-S125MS-0040
50	P1D-S125MS-0050
80	P1D-S125MS-0080
100	P1D-S125MS-0100
125	P1D-S125MS-0125
160	P1D-S125MS-0160
200	P1D-S125MS-0200
250	P1D-S125MS-0250
320	P1D-S125MS-0320
400	P1D-S125MS-0400
500	P1D-S125MS-0500

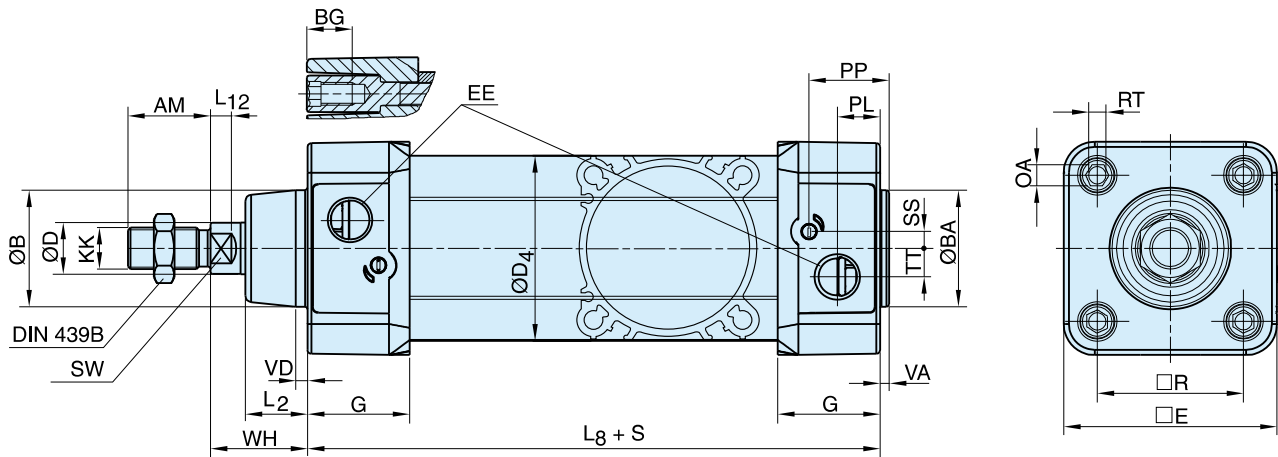
The cylinders are supplied complete with a zinc plated steel piston rod nut.

Sensors



For sensors see page 77.

P1D-S Series



Dimensions

Cylinder bore mm	AM mm	B mm	BA mm	BG mm	D mm	D4 mm	E mm	EE mm	G mm	KK mm	L2 mm	L8 mm	L12 mm
32	22	30	30	16	12	45,0	50,0	G1/8	28,5	M10x1,25	16,0	94	6,0
40	24	35	35	16	16	52,0	57,4	G1/4	33,0	M12x1,25	19,0	105	6,5
50	32	40	40	16	20	60,7	69,4	G1/4	33,5	M16x1,5	24,0	106	8,0
63	32	45	45	16	20	71,5	82,4	G3/8	39,5	M16x1,5	24,0	121	8,0
80	40	45	45	17	25	86,7	99,4	G3/8	39,5	M20x1,5	30,0	128	10,0
100	40	55	55	17	25	106,7	116,0	G1/2	44,5	M20x1,5	32,4	138	14,0
125	54	60	60	20	32	134,0	139,0	G1/2	51,0	M27x2	45,0	160	18,0

Cylinder bore mm	OA mm	PL mm	PP mm	R mm	RT mm	SS mm	SW mm	TT mm	VA mm	VD mm	WH mm
32	6,0	13,0	21,8	32,5	M6	4,0	10	4,5	3,5	4,5	26
40	6,0	14,0	21,9	38,0	M6	8,0	13	5,5	3,5	4,5	30
50	8,0	14,0	23,0	46,5	M8	4,0	17	7,5	3,5	5,0	37
63	8,0	16,4	27,4	56,5	M8	6,5	17	11,0	3,5	5,0	37
80	6,0	16,0	30,5	72,0	M10	0	22	15,0	3,5	4,0	46
100	6,0	18,0	35,8	89,0	M10	0	22	20,0	3,5	4,0	51
125	8,0	28,0	40,5	110,0	M12	0	27	17,5	5,5	6,0	65

S=Stroke

Tolerances

Cylinder bore mm	B mm	BA mm	L ₈ mm	L ₉ mm	R mm	Stroke tolerance up to stroke 500 mm	Stroke tolerance for stroke over 500 mm
32	d11	d11	±0,4	±2	±0,5	+0,3/+2,0	+0,3/+3,0
40	d11	d11	±0,7	±2	±0,5	+0,3/+2,0	+0,3/+3,0
50	d11	d11	±0,7	±2	±0,6	+0,3/+2,0	+0,3/+3,0
63	d11	d11	±0,8	±2	±0,7	+0,3/+2,0	+0,3/+3,0
80	d11	d11	±0,8	±3	±0,7	+0,3/+2,0	+0,3/+3,0
100	d11	d11	±1,0	±3	±0,7	+0,3/+2,0	+0,3/+3,0
125	d11	d11	±1,0	±3	±1,1	+0,3/+2,0	+0,3/+3,0

Cylinder mountings

Flange MF1/MF2



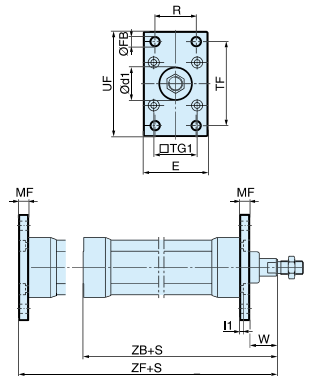
Intended for fixed mounting of cylinder. Flange can be fitted to front or rear end cover of cylinder.

Materials

Flange: Surface-treated steel

Mounting screws acc. to DIN 6912: Zinc-plated steel 8.8

Supplied complete with mounting screws for attachment to cylinder.



Cyl. bore mm	d1 H11 mm	FB H13 mm	TG1 mm	E mm	R JS14 mm	MF JS14 mm	TF JS14 mm	UF mm	I1 mm	W* mm	ZF* mm	ZB* mm	Weight Kg	Order code
32	30	7	32,5	45	32	10	64	80	5,0	16	130	123,5	0,23	P1C-4KMB
40	35	9	38,0	52	36	10	72	90	5,0	20	145	138,5	0,28	P1C-4LMB
50	40	9	46,5	65	45	12	90	110	6,5	25	155	146,5	0,53	P1C-4MMB
63	45	9	56,5	75	50	12	100	120	6,5	25	170	161,5	0,71	P1C-4NMB
80	45	12	72,0	95	63	16	126	150	8,0	30	190	177,5	1,59	P1C-4PMB
100	55	14	89,0	115	75	16	150	170	8,0	35	205	192,5	2,19	P1C-4QMB
125	60	16	110,0	140	90	20	180	205	10,5	45	245	230,5	3,78	P1C-4RMB

S = Stroke length * Does not apply to cylinders with lock unit.

Foot brackets MS1



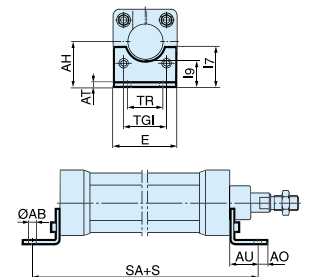
Intended for fixed mounting of cylinder. Foot bracket can be fitted to front and rear end covers of cylinder.

Material:

Foot bracket: Surface treated steel

Mounting screws acc. to DIN 912: Zinc-plated steel 8.8

Supplied in pairs with mounting screws for attachment to cylinder.



Cyl. bore mm	AB H14 mm	TG1 mm	E mm	TR JS14 mm	AO mm	AU mm	AH JS15 mm	I7 mm	AT mm	I9 JS14 mm	SA* mm	Weight Kg	Order code
32	7	32,5	45	32	10	24	32	30	4,5	17,0	142	0,06	P1C-4KMF
40	9	38,0	52	36	8	28	36	30	4,5	18,5	161	0,08	P1C-4LMF
50	9	46,5	65	45	13	32	45	36	5,5	25,0	170	0,16	P1C-4MMF
63	9	56,5	75	50	13	32	50	35	5,5	27,5	185	0,25	P1C-4NMF
80	12	72,0	95	63	14	41	63	49	6,5	40,5	210	0,50	P1C-4PMF
100	14	89,0	115	75	15	41	71	54	6,5	43,5	220	0,85	P1C-4QMF
125	16	110,0	140	90	22	45	90	71	8,0	60,0	250	1,48	P1C-4RMF

S = Stroke length * Does not apply to cylinders with lock unit.

Pivot bracket with rigid bearing AB7

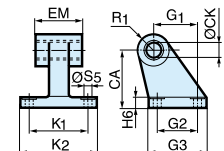


Intended for flexible mounting of cylinder. The pivot bracket can be combined with clevis bracket MP2.

Materials

Pivot bracket: Surface-treated aluminium, black

Bearing: Sintered oil-bronze bushing



Cyl. bore mm	CK H9 mm	S5 H13 mm	K1 JS14 mm	K2 mm	G1 JS14 mm	G2 JS14 mm	EM mm	G3 mm	CA JS15 mm	H6 mm	R1 mm	Weight Kg	Order code
32	10	6,6	38	51	21	18	25,5	31	32	8	10,0	0,06	P1C-4KMD
40	12	6,6	41	54	24	22	27,0	35	36	10	11,0	0,08	P1C-4LMD
50	12	9,0	50	65	33	30	31,0	45	45	12	13,0	0,15	P1C-4MMD
63	16	9,0	52	67	37	35	39,0	50	50	12	15,0	0,20	P1C-4NMD
80	16	11,0	66	86	47	40	49,0	60	63	14	15,0	0,33	P1C-4PMD
100	20	11,0	76	96	55	50	59,0	70	71	15	19,0	0,49	P1C-4QMD
125	25	14,0	94	124	70	60	69,0	90	90	20	22,5	1,02	P1C-4RMD

Cylinder mountings

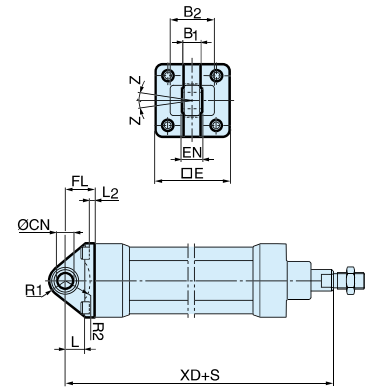
Swivel eye bracket MP6

Intended for use together with clevis bracket GA



Material
 Bracket: Surface-treated aluminium, black
 Swivel bearing acc. to DIN 648K: Hardened steel

Supplied complete with mounting screws for attachment to cylinder.



Cyl. bore mm	E mm	B1 mm	B2 mm	EN mm	R1 mm	R2 mm	FL mm	I2 mm	L mm	CN H7 mm	XD* mm	Z mm	Weight Kg	Order code
32	45	10,5	-	14	16	-	22	5,5	12	10	142	4°	0,08	P1C-4KMSA
40	52	12,0	-	16	18	-	25	5,5	15	12	160	4°	0,11	P1C-4LMSA
50	65	15,0	51	21	21	19	27	6,5	15	16	170	4°	0,20	P1C-4MMSA
63	75	15,0	-	21	23	-	32	6,5	20	16	190	4°	0,27	P1C-4NMSA
80	95	18,0	-	25	29	-	36	10,0	20	20	210	4°	0,52	P1C-4PMSA
100	115	18,0	-	25	31	-	41	10,0	25	20	230	4°	0,72	P1C-4QMSA
125	140	25,0	-	37	40	-	50	10,0	30	30	275	4°	1,53	P1C-4RMSA

S = Stroke length * Does not apply to cylinders with lock unit.

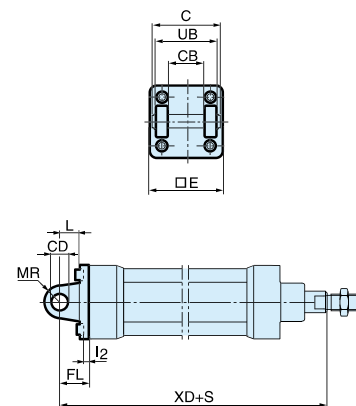
Clevis bracket MP2

Intended for flexible mounting of cylinder. Clevis bracket MP2 can be combined with clevis bracket MP4.



Materials
 Clevis bracket: Surface-treated aluminium, black
 Pin: Surface hardened steel
 Circlips according to DIN 471: Spring steel
 Mounting screws acc. to DIN 912: Zinc-plated steel 8.8

Supplied complete with mounting screws for attachment to cylinder.



Cyl. bore mm	C mm	E mm	UB h14 mm	CB H14 mm	FL ±0,2 mm	L mm	I2 mm	CD H9 mm	MR mm	XD* mm	Weight Kg	Order code
32	53	45	45	26	22	13	5,5	10	10	142	0,08	P1C-4KMT
40	60	52	52	28	25	16	5,5	12	12	160	0,11	P1C-4LMT
50	68	65	60	32	27	16	6,5	12	12	170	0,14	P1C-4MMT
63	78	75	70	40	32	21	6,5	16	16	190	0,29	P1C-4NMT
80	98	95	90	50	36	22	10,0	16	16	210	0,36	P1C-4PMT
100	118	115	110	60	41	27	10,0	20	20	230	0,64	P1C-4QMT
125	139	140	130	70	50	30	10,0	25	25	275	1,17	P1C-4RMT

S = Stroke length * Does not apply to cylinders with lock unit

Cylinder mountings

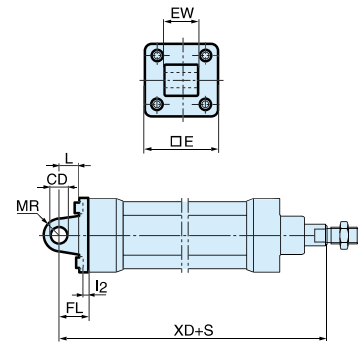
Clevis bracket MP4



Intended for flexible mounting of cylinder. Clevis bracket MP4 can be combined with clevis bracket MP2.

Materials
 Clevis bracket: Surface-treated aluminium, black
 Mounting screws acc. to DIN 912: Zinc-plated steel 8.8

Supplied complete with mounting screws for attachment to cylinder.



Cyl. bore mm	E mm	EW mm	FL mm	L mm	I2 mm	CD mm	MR mm	XD* mm	Weight Kg	Order code
32	45	26	22	13 ±0,2	5,5	10	10	142	0,09	P1C-4KME
40	52	28	25	16 ±0,2	5,5	12	12	160	0,13	P1C-4LME
50	65	32	27	16 ±0,2	6,5	12	12	170	0,17	P1C-4MME
63	75	40	32	21 ±0,2	6,5	16	16	190	0,36	P1C-4NME
80	95	50	36	22 ±0,2	10,0	16	16	210	0,46	P1C-4PME
100	115	60	41	27 ±0,2	10,0	20	20	230	0,83	P1C-4QME
125	140	70	50	30 ±0,2	10,0	25	25	275	1,53	P1C-4RME

S = Stroke length * Does not apply to cylinders with lock unit.

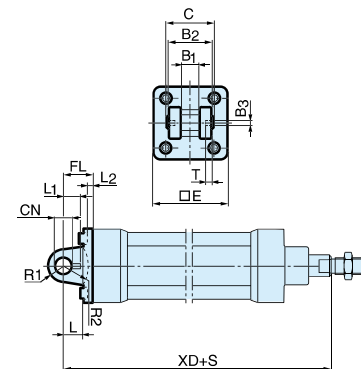
Clevis bracket AB6



Intended for flexible mounting of cylinder. Clevis bracket GA can be combined with pivot bracket with swivel bearing, swivel eye bracket and swivel rod eye.

Materials
 Clevis bracket: Surface-treated aluminium
 Pin: Surface hardened steel
 Locking pin: Spring steel
 Circlips according to DIN 471: Spring steel
 Mounting screws acc. to DIN 912: Zinc-plated steel 8.8

Supplied complete with mounting screws for attachment to cylinder.



Cyl. bore mm	C mm	E mm	B2 mm	B1 mm	T mm	B3 mm	R2 mm	L1 mm	FL mm	I2 mm	L mm	CN mm	R1 mm	XD* mm	Weight Kg	Order code
32	41	45	34	14	3	3,3	17	11,5	22	5,5	12	10	11	142	0,09	P1C-4KMCA
40	48	52	40	16	4	4,3	20	12,0	25	5,5	15	12	13	160	0,13	P1C-4LMCA
50	54	65	45	21	4	4,3	22	14,0	27	6,5	17	16	18	170	0,17	P1C-4MMCA
63	60	75	51	21	4	4,3	25	14,0	32	6,5	20	16	18	190	0,36	P1C-4NMCA
80	75	95	65	25	4	4,3	30	16,0	36	10,0	20	20	22	210	0,58	P1C-4PMCA
100	85	115	75	25	4	4,3	32	16,0	41	10,0	25	20	22	230	0,89	P1C-4QMCA
125	110	140	97	37	6	6,3	42	24,0	50	10,0	30	30	30	275	1,75	P1C-4RMCA

S = Stroke length * Does not apply to cylinders with lock unit.

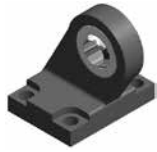
Stainless steel Pin Set AB6

Cyl. bore mm	Weight Kg	Order code
32	0,05	9301054311
40	0,06	9301054312
50	0,07	9301054313
63	0,07	9301054314
80	0,17	9301054315
100	0,31	9301054316
125	0,54	9301054317

Materials
 Pin: Stainless steel
 Locking pin: Stainless steel
 Circlips according to DIN 471: Stainless steel

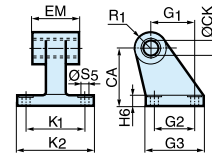
Cylinder mountings

Pivot bracket with swivel bearing CS7



Intended for use together with clevis bracket GA.

Material
 Pivot bracket: Surface-treated steel, black
 Swivel bearing acc. to DIN 648K: Hardened steel

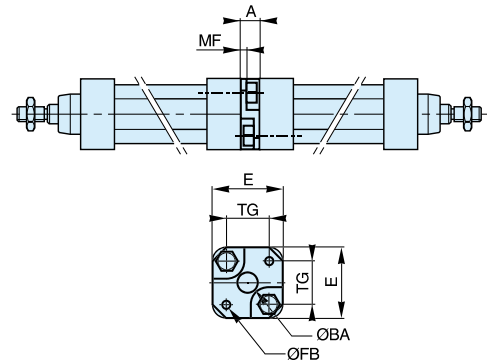


Cyl. bore mm	CN H7 mm	S5 H13 mm	K1 JS14 mm	K2 mm	EU mm	G1 JS14 mm	G2 JS14 mm	EN mm	G3 mm	CH JS15 mm	H6 mm	ER mm	Z	Weight Kg	Order code
32	10	6,6	38	51	10,5	21	18	14	31	32	10	16	4°	0,18	P1C-4KMA
40	12	6,6	41	54	12,0	24	22	16	35	36	10	18	4°	0,25	P1C-4LMA
50	16	9,0	50	65	15,0	33	30	21	45	45	12	21	4°	0,47	P1C-4MMA
63	16	9,0	52	67	15,0	37	35	21	50	50	12	23	4°	0,57	P1C-4NMA
80	20	11,0	66	86	18,0	47	40	25	60	63	14	28	4°	1,05	P1C-4PMA
100	20	11,0	76	96	18,0	55	50	25	70	71	15	30	4°	1,42	P1C-4QMA
125	30	14,0	94	124	25,0	70	60	37	90	90	20	40	4°	3,10	P1C-4RMA

3 and 4 positions flange JP1 Mounting kit for back to back mounted cylinders, 3 and 4 position cylinders.



Material:
 Mounting: Aluminium
 Mounting screws: Zinc-plated steel 8.8



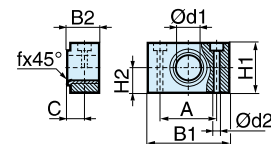
Cyl. bore mm	E mm	TG mm	ØFB mm	MF mm	A mm	ØBA mm	Weight Kg	Order code
32	50	32,5	6,5	5	16	30	0,060	P1E-6KBO
40	60	38,0	6,5	5	16	35	0,078	P1E-6LBO
50	66	46,5	8,5	6	20	40	0,162	P1E-6MBO
63	80	56,5	8,5	6	20	45	0,194	P1E-6NBO
80	100	72,0	10,5	8	25	45	0,450	P1E-6PBO
100	118	89,0	10,5	8	25	55	0,672	P1E-6QBO

Pivot brackets AT4 for MT* Intended for use together with trunnion MT4, MT5 and MT6.



Material
 Pivot bracket: Surface-treated aluminium
 Bearing acc. to DIN 1850 C: Sintered oil-bronze bushing

Supplied in pairs.



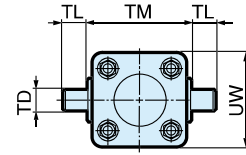
Cyl. bore mm	B1 mm	B2 mm	A mm	C mm	d1 mm	d2 H13 mm	H1 mm	H2 mm	fx45° min	Weight Kg	Order code
32	46	18,0	32	10,5	12	6,6	30	15	1,0	0,04*	9301054261
40	55	21,0	36	12,0	16	9,0	36	18	1,6	0,07*	9301054262
50	55	21,0	36	12,0	16	9,0	36	18	1,6	0,07*	9301054262
63	65	23,0	42	13,0	20	11,0	40	20	1,6	0,12*	9301054264
80	65	23,0	42	13,0	20	11,0	40	20	1,6	0,12*	9301054264
100	75	28,5	50	16,0	25	14,0	50	25	2,0	0,21*	9301054266
125	75	28,5	50	16,0	25	14,0	50	25	2,0	0,21*	9301054266

Cylinder mountings

Intermediate trunnion MT4 for P1D-S



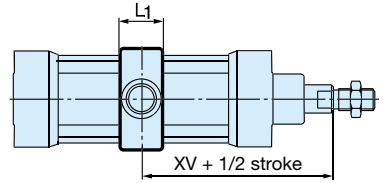
Intended for articulated mounting of cylinder. This mounting is available for P1D-S and P1D-T.
The trunnion is factory-fitted in the centre of the cylinder or at an optional location specified by the XV-measure – Combined with pivot brackets AT4.
Material:
Trunnion: zinc plated steel



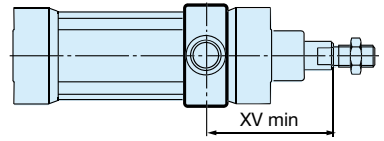
Intermediate trunnion MT4 for P1D-T



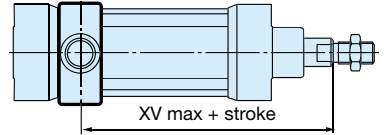
Trunnion centred
The central trunnion for the P1D-S and P1D-T is ordered with letter D in position 17 and NNN in positions 18-20.



Trunnion with optional location
The trunnion for the P1D-S and P1D-T is ordered with letter G in position 17 and desired XV-measure (3-digit measure in mm) in positions 18-20.



Free trunnion
P1D-S can also be ordered with the trunnion loosely fitted to the cylinder (not fixed in position). This allows the position to be established at the time of installation.
Ordered with letter G in position 17 and 000 in positions 18-20.



Cyl. bore mm	L1		TL	TM	Ø TD	UW	XV min				XV				XV max			
	P1D-S/L/H mm	P1D-T mm	h14 mm	h14 mm	e9 mm	P1D-S/L/H mm	P1D-S mm	P1D-T mm	P1D-L mm	P1D-H mm	P1D-S mm	P1D-T mm	P1D-L mm	P1D-H mm	P1D-S mm	P1D-T mm	P1D-L mm	P1D-H mm
32	18	15	12	50	12	52	63,5	62,0	119,5	111,5	73,0	73,0	129,0	121,0	82,5	84,0	138,5	130,5
40	20	20	16	63	16	59	73,0	73,0	133,5	128,0	82,5	82,5	143,0	137,5	92,0	92,0	152,5	147,0
50	20	20	16	75	16	71	80,5	80,5	143,5	150,5	90,0	90,0	153,0	160,0	99,5	99,5	162,5	169,5
63	26	25	20	90	20	84	89,5	89,0	168,5	159,5	97,5	97,5	176,5	167,5	106,0	105,5	184,5	175,5
80	26	25	20	110	20	105	98,5	98,0	188,5	188,5	110,0	110,0	200,0	200,0	122,0	121,5	211,5	211,5
100	32	30	25	132	25	129	111,5	110,5	223,5	203,5	120,0	120,0	232,0	212,0	129,5	128,5	240,5	220,5
125	33	32	25	180	25	159	132,5	132,0	250,0	254,5	145,0	145,0	262,5	267,0	158,0	157,5	275,0	279,5

Important: If the cylinder is ordered with a piston rod protusion (WH dimension), please add this extra length to XVmin, XV and XVmax.

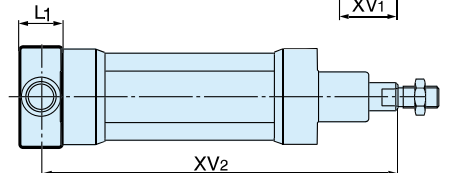
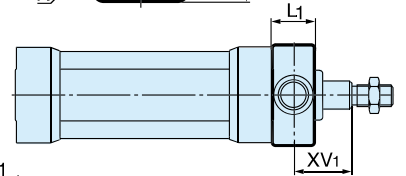
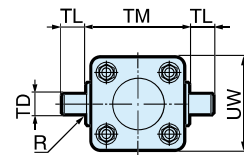
Flange mounted trunnion MT5/MT6



Intended for articulated mounting of cylinder. This trunnion can be flange mounted on the front or rear end cover of all P1D cylinders. At your choice, you can order a complete cylinder with factory-fitted flange mounted trunnion
Individual trunnions have order code as shown below.

Material:
Trunnion: zinc plated steel
Screws: zinc plated steel, 8.8

Delivered complete with mounting screws for attachment to the cylinder



Cyl. bore mm	TM h14 mm	TL h14 mm	TD e9 mm	R mm	UW mm	L1 mm	XV ₁ * mm	X* mm	Y mm	Weight Kg	Order code
32	50	12	12	1,0	46	14	19,5	126,5	11	0,17	P1D-4KMYF
40	63	16	16	1,6	59	19	21,0	144,0	14	0,43	P1D-4LMYF
50	75	16	16	1,6	69	19	28,0	152,0	20	0,55	P1D-4MMYF
63	90	20	20	1,6	84	24	25,5	169,5	20	1,10	P1D-4NMYF
80	110	20	20	1,6	102	24	34,5	185,5	26	1,66	P1D-4PMYF
100	132	25	25	2,0	125	29	37,0	203,0	31	3,00	P1D-4QMYF

XV₂ = X + Stroke length * Does not apply to cylinders with lock unit.

To fit a flange mounted trunnion at the front end cover of a P1D cylinder with lock unit, the piston rod must be extended. This is to provide the same WH dimensions as for the P1D base cylinder with dimension Y.

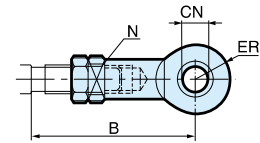
Piston rod mountings

Swivel rod eye AP6

Intended for articulated mounting of the cylinder.



Material:
Swivel rod eye, nut: galvanized steel.
Swivel bearing according to DIN 648K: Hardened steel.

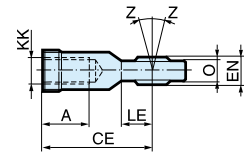


Stainless steel swivel rod eye AP6

Stainless-steel swivel rod eye for articulated mounting of eye cylinder.



Materials
Swivel rod eye: Stainless steel
Swivel bearing according to DIN 648K: Stainless steel
Use stainless steel nut with stainless steel swivel rod eye.



Cyl.- dia. mm	A mm	B min mm	B max mm	CE mm	CN H9 mm	EN h12 mm	ER mm	KK	LE	N* min mm	O mm	Z mm	Weight kg	Order code	Order code
														Galvanised Steel	Stainless Steel
32	20	48,0	55	43	10	14	14	M10x1,25	15	17	10,5	12°	0,08	P1C-4KRS	P1S-4JRT
40	22	56,0	62	50	12	16	16	M12x1,25	17	19	12,0	12°	0,12	P1C-4LRS	P1S-4LRT
50	28	72,0	80	64	16	21	21	M16x1,5	22	22	15,0	15°	0,25	P1C-4MRS	P1S-4MRT
63	28	72,0	80	64	16	21	21	M16x1,5	22	22	15,0	15°	0,25	P1C-4MRS	P1S-4MRT
80	33	87,0	97	77	20	25	25	M20x1,5	26	32	18,0	15°	0,46	P1C-4PRS	P1S-4PRT
100	33	87,0	97	77	20	25	25	M20x1,5	26	32	18,0	15°	0,46	P1C-4PRS	P1S-4PRT
125	51	123,5	137	110	30	37	35	M27x2	36	41	25,0	15°	1,28	P1C-4RRS	P1S-4RRT

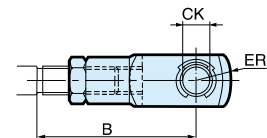
Clevis AP2

Intended for articulated mounting of the cylinder.



Material:
Clevis and clip galvanized steel.
Pin: Hardened steel

Supplied complete with axle.

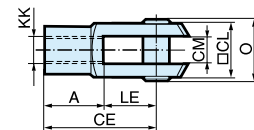


Stainless steel Clevis AP2

Stainless-steel clevis for articulated mounting of cylinder.



Material
Clevis: Stainless steel
Pin: Stainless steel
Circlips according to DIN 471: Stainless steel
Use stainless steel nut with stainless steel swivel rod eye.



Cyl.- dia. mm	A mm	B min mm	B max mm	CE mm	CK mm	CL mm	CM mm	ER mm	KK	LE mm	O mm	Weight kg	Order code	Order code
													Galvanised Steel	Stainless Steel
32	20	45,0	52	40	10	20	10	16	M10x1,25	20	28,0	0,09	P1C-4KRC	P1S-4JRD
40	24	54,0	60	48	12	24	12	19	M12x1,25	24	32,0	0,15	P1C-4LRC	P1S-4LRD
50	32	72,0	80	64	16	32	16	25	M16x1,5	32	41,5	0,35	P1C-4MRC	P1S-4MRD
63	32	72,0	80	64	16	32	16	25	M16x1,5	32	41,5	0,35	P1C-4MRC	P1S-4MRD
80	40	90,0	100	80	20	40	20	32	M20x1,5	40	50,0	0,75	P1C-4PRC	P1S-4PRD
100	40	90,0	100	80	20	40	20	32	M20x1,5	40	50,0	0,75	P1C-4PRC	P1S-4PRD
125	56	123,5	137	110	30	55	30	45	M27x2,0	54,0	72,0	2,10	P1C-4RRC	P1S-4RRD

Piston rod mountings

Flexo coupling PM5



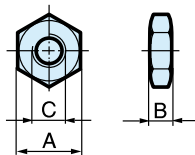
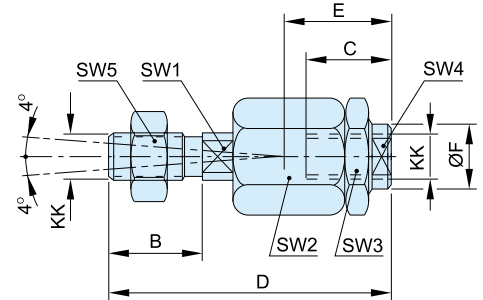
Flexo coupling for articulated mounting of piston rod. Flexo fitting is intended to take up axial angle errors within a range of ±4°.

Material
Flexo coupling, nut: Zinc-plated steel

Supplied complete with galvanized adjustment nut.

Cyl. bore Ø mm	Weight kg	Order code
32	0,23	P1C-4KRF
40	0,23	P1C-4LRF
50	0,65	P1C-4MRF
63	0,65	P1C-4MRF
80	0,71	P1C-4PRF
100	0,71	P1C-4PRF
125	1,60	P1C-4RRF

Cyl. bore mm	KK mm	B mm	C mm	D mm	E mm	ØF mm	SW1 mm	SW2 mm	SW3 mm	SW4 mm	SW5 mm
32	M10x1.25	20	23	73	31	21	12	30	30	19	17
40	M12x1.25	24	23	77	31	21	12	30	30	19	19
50	M16x1.5	32	32	108	45	33.5	19	41	41	30	24
63	M16x1.5	32	32	108	45	33.5	19	41	41	30	24
80	M20x1.5	40	42	122	56	33.5	19	41	41	30	30
100	M20x1.5	40	42	122	56	33.5	19	41	41	30	30
125	M27x2	54	48	147	51	39	24	55	55	32	41



Nut MR9



Intended for fixed mounting of accessories to the piston rod.
Material: Zinc-plated steel

All P1D cylinders are delivered with a zinc-plated steel piston rod nut, except P1D Ultra Clean, which is delivered with a stainless steel piston rod nut instead.

Stainless steel nut MR9



Intended for fixed mounting of accessories to the piston rod.

Material: Stainless steel A2

All P1D cylinders are delivered with a zinc-plated steel piston rod nut, except P1D Ultra Clean, which is delivered with a stainless steel piston rod nut instead.

Acid-proof nut MR9



Intended for fixed mounting of accessories to the piston rod.

Material: Acid-proof steel A4

Cylinders with acid-proof piston rod are supplied with nut of acid-proof steel

Cyl. bore mm	A mm	B mm	C	Weight Kg	Order code
32	17	5,0	M10x1,25	0,007	P14-4KRPZ
40	19	6,0	M12x1,25	0,010	P14-4LRPZ
50	24	8,0	M16x1,5	0,021	P14-4MRPZ
63	24	8,0	M16x1,5	0,021	P14-4MRPZ
80	30	10,0	M20x1,5	0,040	P14-4PRPZ
100	30	10,0	M20x1,5	0,040	P14-4PRPZ
125	30	10,0	M27x2	0,100	P14-4RRPZ
32	17	5,0	M10x1,25	0,007	P14-4KRPS
40	19	6,0	M12x1,25	0,010	P14-4LRPS
50	24	8,0	M16x1,5	0,021	P14-4MRPS
63	24	8,0	M16x1,5	0,021	P14-4MRPS
80	30	10,0	M20x1,5	0,040	P14-4PRPS
100	30	10,0	M20x1,5	0,040	P14-4PRPS
125	30	10,0	M27x2	0,100	P14-4RRPS
32	17	5,0	M10x1,25	0,007	P14-4KRXP
40	19	6,0	M12x1,25	0,010	P14-4LRXP
50	24	8,0	M16x1,5	0,021	P14-4MRXP
63	24	8,0	M16x1,5	0,021	P14-4MRXP
80	30	10,0	M20x1,5	0,040	P14-4PRXP
100	30	10,0	M20x1,5	0,040	P14-4PRXP
125	30	10,0	M27x2	0,100	P14-4RRXP

Supplied as pack of 10 off, Weight per item

Sealing plugs



Set of 4 threaded plugs to be fitted in unused end cover screws. A rubber gasket is supplied with every plug. The seal off function is equal to IP67. The plugs can be used for all P1D cylinders to avoid collecting dirt and fluids in the end cover screw recesses.

Material:
Plug Polyamid PA
Gasket Nitrile rubber

Supplied as pack of 4 off, Weight per item

Cyl.	Weight Kg	Order code
32	0,01	460104801
40	0,01	460104801
50	0,02	460104802
63	0,02	460104802
80	0,02	460104803
100	0,02	460104803
125	0,03	460104804

	Flange MF1/MF2 ¹	Foot brackets MS1 ²	Pivot bracket with rigid bearing AB7 ³	Swivel eye ⁴ bracket MP6	Clevis bracket MP2 ⁵
Ø 32	P1C-4KMB	P1C-4KMF	P1C-4KMD	P1C-4KMSA	P1C-4KMT
Ø 40	P1C-4LMB	P1C-4LMF	P1C-4LMD	P1C-4LMSA	P1C-4LMT
Ø 50	P1C-4MMB	P1C-4MMF	P1C-4MMD	P1C-4MMSA	P1C-4MMT
Ø 63	P1C-4NMB	P1C-4NMF	P1C-4NMD	P1C-4NMSA	P1C-4NMT
Ø 80	P1C-4PMB	P1C-4PMF	P1C-4PMD	P1C-4PMSA	P1C-4PMT
Ø 100	P1C-4QMB	P1C-4QMF	P1C-4QMD	P1C-4QMSA	P1C-4QMT
Ø 125	P1C-4RMB	P1C-4RMF	P1C-4RMD	P1C-4RMSA	P1C-4RMT

	Clevis bracket MP4 ⁶	Clevis bracket AB6 ⁷	Pivot bracket with swivel bearing CS7 ⁸	3 and 4 positions flange JP1	Pivot brackets AT4 ¹⁰ for MT* trunnion
Ø 32	P1C-4KME	P1C-4KMCA	P1C-4KMA	P1E-6KB0	9301054261
Ø 40	P1C-4LME	P1C-4LMCA	P1C-4LMA	P1E-6LB0	9301054262
Ø 50	P1C-4MME	P1C-4MMCA	P1C-4MMA	P1E-6MB0	9301054262
Ø 63	P1C-4NME	P1C-4NMCA	P1C-4NMA	P1E-6NB0	9301054264
Ø 80	P1C-4PME	P1C-4PMCA	P1C-4PMA	P1E-6PB0	9301054264
Ø 100	P1C-4QME	P1C-4QMCA	P1C-4QMA	P1E-6QB0	9301054266
Ø 125	P1C-4RME	P1C-4RMCA	P1C-4RMA		9301054266

	Flange trunnion ¹¹ MT5/MT6	Trunnion MT4 ¹²	Swivel rod eye AP6 ¹³	Clevis AP2 ¹⁴	Flexo coupling PM5 ¹⁵
Ø 32	P1D-4KMYF	Factory fitted	P1C-4KRS	P1C-4KRC	P1C-4KRF
Ø 40	P1D-4LMYF	Factory fitted	P1C-4LRS	P1C-4LRC	P1C-4LRF
Ø 50	P1D-4MMYF	Factory fitted	P1C-4MRS	P1C-4MRC	P1C-4MRF
Ø 63	P1D-4NMYF	Factory fitted	P1C-4MRS	P1C-4MRC	P1C-4MRF
Ø 80	P1D-4PMYF	Factory fitted	P1C-4PRS	P1C-4PRC	P1C-4PRF
Ø 100	P1D-4QMYF	Factory fitted	P1C-4PRS	P1C-4PRC	P1C-4PRF
Ø 125		Factory fitted	P1C-4RRS	P1C-4RRC	P1C-4RRF

Zinc-plated steel nut MR9 (pack of 10)



Ø 32	P14-4KRPZ
Ø 40	P14-4LRPZ
Ø 50	P14-4MRPZ
Ø 63	P14-4MRPZ
Ø 80	P14-4PRPZ
Ø 100	P14-4PRPZ
Ø 125	P14-4RRPZ

