

P1D-B Pneumatic Cylinders

According to ISO 15552



P1D-B series. This series features a profile design and is the basic ISO cylinder for simple applications where no special options are required. This series is suitable for general industrial applications

- Available in 32 to 125 mm bores
- PUR seals for long service life
- Drop-in sensors
- Corrosion resistant design
- Magnetic piston as standard
- Lubricated with food grade grease

P1D-B Basic Cylinders

The P1D-B series features a profile design and is the value line ISO cylinder for basic applications where no special options are required. This series is suitable for general industrial applications and is supported by a full range of ISO mountings.

- Available in 32 to 125 mm bores
- PUR seals for long service life
- Drop-in sensors
- Corrosion resistant design
- Magnetic piston as standard
- Lubricated with food grade grease



Operating information

Working pressure: Max 10 bar
Standard Temperature: -20°C to +80°C

For more information see www.parker.com/euro_pneumatic

P1D-B Basic

Ø32mm - (G¹/₈)

Stroke mm	Order code
25	P1D-B032MS-0025
40	P1D-B032MS-0040
50	P1D-B032MS-0050
80	P1D-B032MS-0080
100	P1D-B032MS-0100
125	P1D-B032MS-0125
160	P1D-B032MS-0160
200	P1D-B032MS-0200
250	P1D-B032MS-0250
320	P1D-B032MS-0320
400	P1D-B032MS-0400
500	P1D-B032MS-0500

Ø63mm - (G³/₈)

Stroke mm	Order code
25	P1D-B063MS-0025
40	P1D-B063MS-0040
50	P1D-B063MS-0050
80	P1D-B063MS-0080
100	P1D-B063MS-0100
125	P1D-B063MS-0125
160	P1D-B063MS-0160
200	P1D-B063MS-0200
250	P1D-B063MS-0250
320	P1D-B063MS-0320
400	P1D-B063MS-0400
500	P1D-B063MS-0500

Ø100mm - (G¹/₂)

Stroke mm	Order code
25	P1D-B100MS-0025
40	P1D-B100MS-0040
50	P1D-B100MS-0050
80	P1D-B100MS-0080
100	P1D-B100MS-0100
125	P1D-B100MS-0125
160	P1D-B100MS-0160
200	P1D-B100MS-0200
250	P1D-B100MS-0250
320	P1D-B100MS-0320
400	P1D-B100MS-0400
500	P1D-B100MS-0500

Ø40mm - (G¹/₄)

Stroke mm	Order code
25	P1D-B040MS-0025
40	P1D-B040MS-0040
50	P1D-B040MS-0050
80	P1D-B040MS-0080
100	P1D-B040MS-0100
125	P1D-B040MS-0125
160	P1D-B040MS-0160
200	P1D-B040MS-0200
250	P1D-B040MS-0250
320	P1D-B040MS-0320
400	P1D-B040MS-0400
500	P1D-B040MS-0500

Ø80mm - (G³/₄)

Stroke mm	Order code
25	P1D-B080MS-0025
40	P1D-B080MS-0040
50	P1D-B080MS-0050
80	P1D-B080MS-0080
100	P1D-B080MS-0100
125	P1D-B080MS-0125
160	P1D-B080MS-0160
200	P1D-B080MS-0200
250	P1D-B080MS-0250
320	P1D-B080MS-0320
400	P1D-B080MS-0400
500	P1D-B080MS-0500

Ø125mm - (G¹/₂)

Stroke mm	Order code
25	P1D-B125MS-0025
40	P1D-B125MS-0040
50	P1D-B125MS-0050
80	P1D-B125MS-0080
100	P1D-B125MS-0100
125	P1D-B125MS-0125
160	P1D-B125MS-0160
200	P1D-B125MS-0200
250	P1D-B125MS-0250
320	P1D-B125MS-0320
400	P1D-B125MS-0400
500	P1D-B125MS-0500

Ø50mm - (G¹/₄)

Stroke mm	Order code
25	P1D-B050MS-0025
40	P1D-B050MS-0040
50	P1D-B050MS-0050
80	P1D-B050MS-0080
100	P1D-B050MS-0100
125	P1D-B050MS-0125
160	P1D-B050MS-0160
200	P1D-B050MS-0200
250	P1D-B050MS-0250
320	P1D-B050MS-0320
400	P1D-B050MS-0400
500	P1D-B050MS-0500

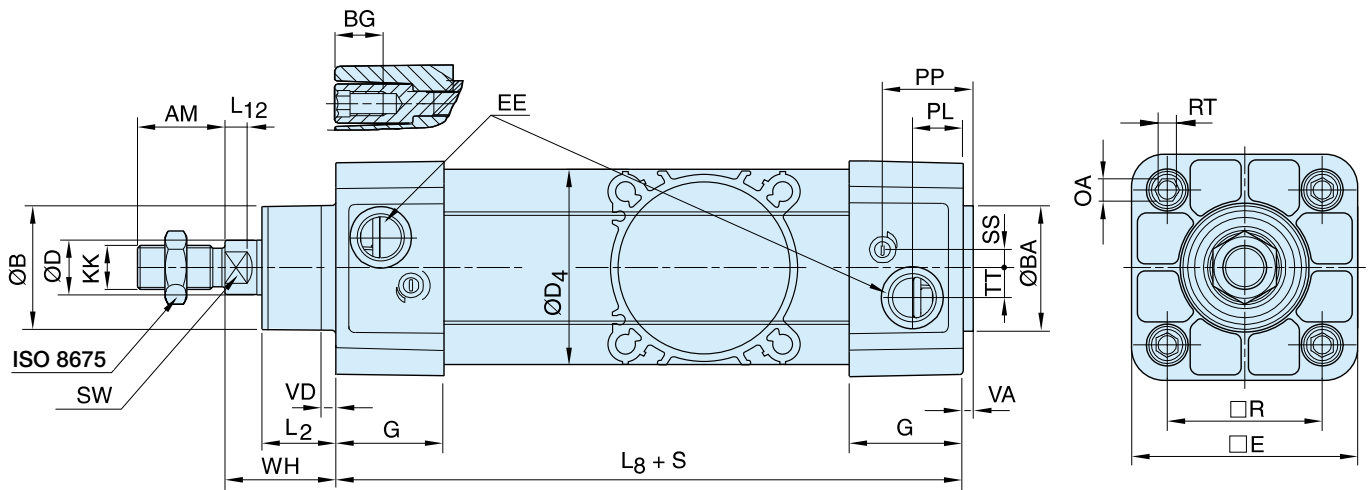
The cylinders are supplied complete with a zinc plated steel piston rod nut.

Sensors



For sensors see page 77.

P1D-B Series



Dimensions

Cylinder bore mm	AM mm	B mm	BA mm	BG mm	D mm	D4 mm	E mm	EE mm	G mm	KK	L2 mm	L8 mm	L12 mm
32	22	30	30	16	12	45,0	48,0	G1/8	28,5	M10x1,25	16,8	94	6,0
40	24	35	35	16	16	52,0	53,5	G1/4	33,0	M12x1,25	19,0	105	6,5
50	32	40	40	16	20	60,7	65,2	G1/4	33,5	M16x1,5	24,0	106	8,0
63	32	45	45	16	20	71,5	75,5	G3/8	39,5	M16x1,5	24,3	121	8,0
80	40	45	45	17	25	86,7	95,0	G3/8	39,5	M20x1,5	30,0	128	10,0
100	40	55	55	17	25	106,7	114,0	G1/2	44,5	M20x1,5	34,0	138	14,0
125	54	60	60	20	32	134,0	139,0	G1/2	51,0	M27x2	45,0	160	18,0

Cylinder bore mm	OA mm	PL mm	PP mm	R mm	RT mm	SS mm	SW mm	TT mm	VA mm	VD mm	WH mm
32	6,0	14,0	24,2	32,5	M6	5,5	10	4,2	3,5	4,5	26
40	6,0	16,0	27,5	38,0	M6	8,0	13	5,5	3,5	4,5	30
50	8,0	14,0	29,3	46,5	M8	9,0	17	7,5	3,5	4,5	37
63	8,0	16,6	30,8	56,5	M8	6,5	17	10,0	3,5	4,5	37
80	6,0	16,8	33,5	72,0	M10	0	22	11,5	3,5	4,5	46
100	6,0	20,5	37,5	89,0	M10	0	22	14,5	3,5	4,5	51
125	8,0	23,3	45,8	110,0	M12	0	27	15,0	5,5	6,5	65

S=Stroke

Tolerances

Cylinder bore mm	B	BA	L ₈ mm	L ₉ mm	R mm	Stroke tolerance up to stroke 500 mm	Stroke tolerance for stroke over 500 mm
32	d11	d11	±0,4	±2	±0,5	+0,3/+2,0	+0,3/+3,0
40	d11	d11	±0,7	±2	±0,5	+0,3/+2,0	+0,3/+3,0
50	d11	d11	±0,7	±2	±0,6	+0,3/+2,0	+0,3/+3,0
63	d11	d11	±0,8	±2	±0,7	+0,3/+2,0	+0,3/+3,0
80	d11	d11	±0,8	±3	±0,7	+0,3/+2,0	+0,3/+3,0
100	d11	d11	±1,0	±3	±0,7	+0,3/+2,0	+0,3/+3,0
125	d11	d11	±1,0	±3	±1,1	+0,3/+2,0	+0,3/+3,0

Cylinder mountings

Flange MF1/MF2



Intended for fixed mounting of cylinder. Flange can be fitted to front or rear end cover of cylinder.

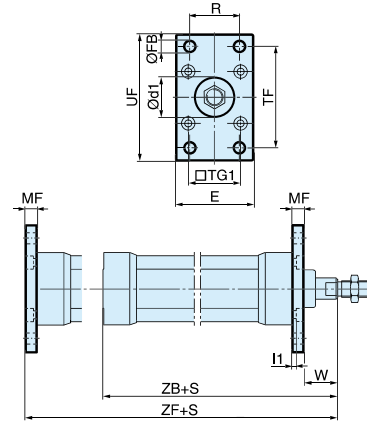
Materials
Flange: Surface-treated steel
Mounting screws acc. to DIN 6912: Zinc-plated steel 8.8

Supplied complete with mounting screws for attachment to cylinder.

Cyl. bore Ø mm	Weight kg	Order code
32	0,23	P1C-4KMB
40	0,28	P1C-4LMB
50	0,53	P1C-4MMB
63	0,71	P1C-4NMB
80	1,59	P1C-4PMB
100	2,19	P1C-4QMB
125	3,78	P1C-4RMB

Cyl. bore mm	d1 mm	FB H13	TG1 mm	E mm	R JS14	MF JS14	TF JS14	UF mm	I1 mm	W mm	ZF mm	ZB mm
32	30	7	32,5	45	32	10	64	80	5,0	16	130	123,5
40	35	9	38,0	52	36	10	72	90	5,0	20	145	138,5
50	40	9	46,5	65	45	12	90	110	6,5	25	155	146,5
63	45	9	56,5	75	50	12	100	120	6,5	25	170	161,5
80	45	12	72,0	95	63	16	126	150	8,0	30	190	177,5
100	55	14	89,0	115	75	16	150	170	8,0	35	205	192,5
125	60	16	110,0	140	90	20	180	205	10,5	45	245	230,5

S = Stroke length



Foot brackets MS1



Intended for fixed mounting of cylinder. Foot bracket can be fitted to front and rear end covers of cylinder.

Material:
Foot bracket: Surface treated steel
Mounting screws acc. to DIN 912: Zinc-plated steel 8.8

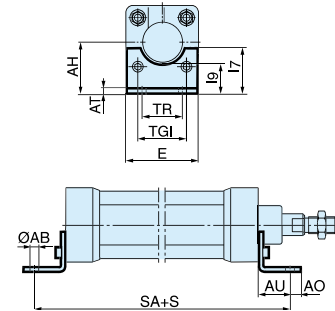
Supplied in pairs with mounting screws for attachment to cylinder.

Cyl. bore Ø mm	Weight kg	Order code
32	0,06**	P1C-4KMF
40	0,08**	P1C-4LMF
50	0,16**	P1C-4MMF
63	0,25**	P1C-4NMF
80	0,50**	P1C-4PMF
100	0,85**	P1C-4QMF
125	1,48**	P1C-4RMF

** Weight per item

Cyl. bore mm	AB H14	TG1 mm	E mm	TR JS14	AO mm	AU mm	AH JS15	I7 mm	AT mm	I9 mm	SA mm
32	7	32,5	47	32	8	24	32	30	4,5	17,0	142
40	9	38,0	53	36	10	28	36	30	4,5	18,5	161
50	9	46,5	65	45	10	32	45	36	5,5	25,0	170
63	9	56,5	75	50	10	32	50	35	5,5	27,5	185
80	12	72,0	95	63	14	41	63	49	6,5	40,5	210
100	14	89,0	115	75	15	41	71	54	6,5	43,5	220
125	16	110,0	140	90	20	45	90	71	8,0	60,0	250

S = Stroke length



Pivot bracket with rigid bearing AB7

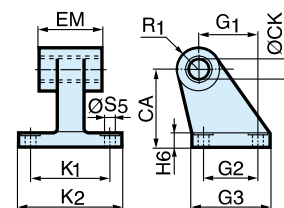


Intended for flexible mounting of cylinder. The pivot bracket can be combined with clevis bracket MP2.

Material:
Pivot bracket: Aluminium
Bearing: Sintered oil-bronze bushing

Cyl. bore Ø mm	Weight kg	Order code
32	0,06	P1C-4KMDB
40	0,08	P1C-4LMDB
50	0,15	P1C-4MMDB
63	0,20	P1C-4NMDB
80	0,33	P1C-4PMDB
100	0,49	P1C-4QMDB
125	1,02	P1C-4RMDB

Cyl. bore mm	CK H9	S5 H13	K1 JS14	K2 mm	G1 JS14	G2 JS14	EM mm	G3 mm	CA JS15	H6 mm	R1 mm
32	10	6,6	38	51	21	18	25,5	31	32	8	10,0
40	12	6,6	41	54	24	22	27,0	35	36	10	11,0
50	12	9,0	50	65	33	30	31,0	45	45	12	13,0
63	16	9,0	52	67	37	35	39,0	50	50	12	15,0
80	16	11,0	66	86	47	40	49,0	60	63	14	15,0
100	20	11,0	76	96	55	50	59,0	70	71	15	19,0
125	25	14,0	94	124	70	60	69,0	90	90	20	22,5



Cylinder mountings

Swivel eye bracket MP6

Intended for use together with clevis bracket GA

Material:
Bracket: Aluminium
Swivel bearing acc. to DIN 648K: Hardened steel

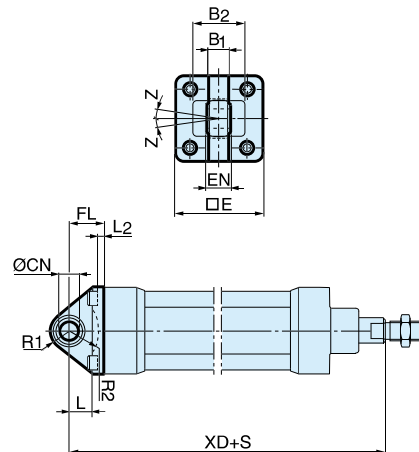
Supplied complete with mounting screws for attachment to cylinder.



Cyl. bore Ø mm	Weight kg	Order code
32	0,08	PD23843
40	0,11	PD23844
50	0,20	PD23845
63	0,27	PD23846
80	0,52	PD23847
100	0,72	PD23848
125	1,53	PD23849

Cyl. bore mm	E	B1	B2	EN	R1	R2	FL	I2	L	CN H7	XD	Z
32	47	10,5	-	14	16	12	22	6.0	12	10	142	4°
40	55	12,0	-	16	21	14	25	6.0	15	12	160	4°
50	65	12,0	51	16	23	16	27	7.0	15	12	170	4°
63	78	15,0	-	21	27	19	32	7.0	20	16	190	4°
80	95	15,0	-	21	29	21	36	10.0	20	16	210	4°
100	115	18,0	-	25	34	24	41	10.0	25	20	230	4°
125	140	22,0	-	31	40	30	50	10.5	30	25	275	4°

S = Stroke length



Clevis bracket MP2

Intended for flexible mounting of cylinder. Clevis bracket MP2 can be combined with clevis bracket MP4.

Material:
Clevis bracket: Aluminium
Pin: Surface hardened steel
Circlips according to DIN 471: Spring steel
Mounting screws acc. to DIN 912: Zinc-plated steel 8.8

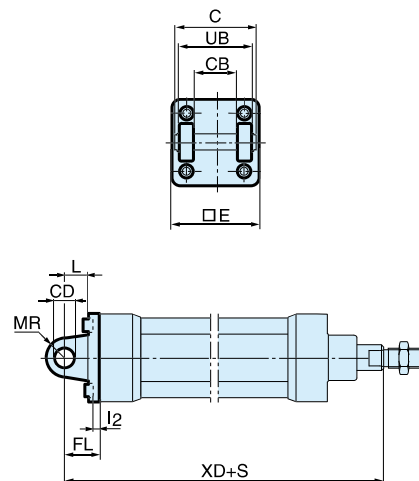
Supplied complete with mounting screws for attachment to cylinder.



Cyl. bore Ø mm	Weight kg	Order code
32	0,08	P1C-4KMTB
40	0,11	P1C-4LMTB
50	0,14	P1C-4MMTB
63	0,29	P1C-4NMTB
80	0,36	P1C-4PMTB
100	0,64	P1C-4QMTB
125	1,17	P1C-4RMTB

Cyl. bore mm	C	E	UB h14	CB H14	FL ±0,2	L	I2	CD H9	MR	XD
32	53	47	45	26	22	13	6,0	10	10	142
40	60	55	52	28	25	16	6,0	12	12	160
50	68	65	60	32	27	16	7,0	12	12	170
63	78	78	70	40	32	21	7,0	16	16	190
80	98	95	90	50	36	22	10,0	16	16	210
100	118	115	110	60	41	27	10,5	20	20	230
125	139	140	130	70	50	30	10,5	25	25	275

S = Stroke length



Cylinder mountings

Clevis bracket MP4



Intended for flexible mounting of cylinder. Clevis bracket MP4 can be combined with clevis bracket MP2.

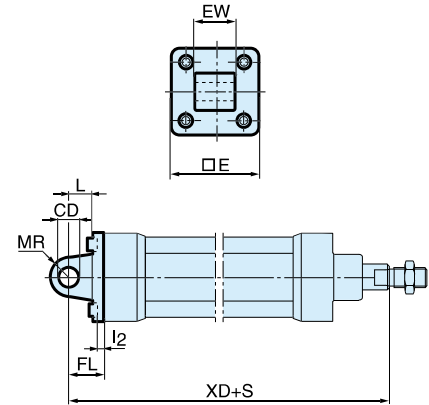
Material:
 Clevis bracket: Aluminium
 Mounting screws acc. to DIN 912: Zinc-plated steel 8.8

Supplied complete with mounting screws for attachment to cylinder.

Cyl. bore Ø mm	Weight kg	Order code
32	0,09	PD23412
40	0,13	PD23413
50	0,17	PD23414
63	0,36	PD23415
80	0,46	PD23416
100	0,83	PD23417
125	1,53	PD23418

Cyl. bore mm	E mm	EW mm	FL mm	L ±0,2 mm	I2 mm	CD mm	MR H9 mm	XD mm
32	47	26	22	13	6,0	10	10	142
40	55	28	25	16	6,0	12	12	160
50	65	32	27	16	7,0	12	12	170
63	78	40	32	21	7,0	16	16	190
80	95	50	36	22	10,0	16	16	210
100	115	60	41	27	10,5	20	20	230
125	140	70	50	30	10,5	25	25	275

S = Stroke length



Clevis bracket AB6



Intended for flexible mounting of cylinder. Clevis bracket GA can be combined with pivot bracket with swivel bearing, swivel eye bracket and swivel rod eye.

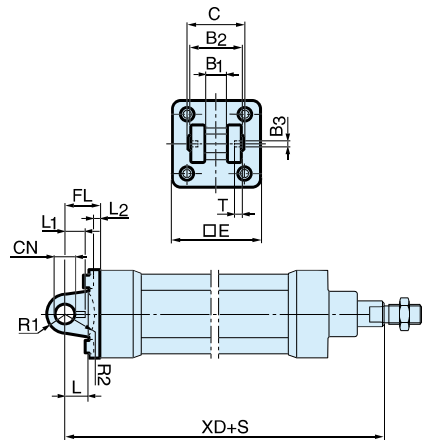
Material:
 Clevis bracket: Surface-treated aluminium
 Pin: Surface hardened steel
 Locking pin: Spring steel
 Circlips according to DIN 471: Spring steel
 Mounting screws acc. to DIN 912: Zinc-plated steel 8.8

Supplied complete with mounting screws for attachment to cylinder.

Cyl. bore Ø mm	Weight kg	Order code
32	0,09	P1C-4KMCB
40	0,13	P1C-4LMCB
50	0,17	P1C-4MMCB
63	0,36	P1C-4NMCB
80	0,58	P1C-4PMCB
100	0,89	P1C-4QMCB
125	1,75	P1C-4RMCB

Cyl. bore mm	C mm	E mm	B2 d12 mm	B1 H14 mm	T mm	B3 mm	R2 mm	L1 mm	FL ±0,2 mm	I2 mm	L mm	CN F7 mm	R1 mm	XD mm
32	41	45	34	14	3	3,3	17	11,5	22	5,5	12	10	11	142
40	48	55	40	16	4	4,3	20	12,0	25	5,5	15	12	13	160
50	54	65	45	21	4	4,3	22	14,0	27	6,5	17	16	18	170
63	60	75	51	21	4	4,3	25	14,0	32	6,5	20	16	18	190
80	75	95	65	25	4	4,3	30	16,0	36	10,0	20	20	22	210
100	85	115	75	25	4	4,3	32	16,0	41	10,0	25	20	22	230
125	110	140	97	37	6	6,3	42	24,0	50	10,0	30	30	30	275

S = Stroke length



Cylinder mountings

Pivot bracket with swivel bearing CS7

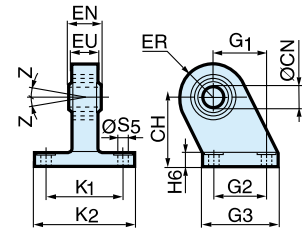


Intended for use together with clevis bracket GA.

Material:
Pivot bracket: Surface-treated steel
Swivel bearing acc. to DIN 648K: Hardened steel

Cyl. bore Ø mm	Weight kg	Order code
32	0,18	KC5130
40	0,25	KC5131
50	0,47	KC5132
63	0,57	KC5133
80	1,05	KC5134
100	1,42	KC5135
125	3,10	KC5136

Cyl. bore mm	CN H7 mm	S5 H13 mm	K1 JS14 mm	K2 mm	EU mm	G1 JS14 mm	G2 JS14 mm	EN mm	G3 mm	CH JS15 mm	H6 mm	ER mm	Z mm
32	10	6,6	38	51	10,5	21	18	14	31	32	10	16	4°
40	12	6,6	41	54	12,0	24	22	16	35	36	10	18	4°
50	16	9,0	50	65	15,0	33	30	21	45	45	12	21	4°
63	16	9,0	52	67	15,0	37	35	21	50	50	12	23	4°
80	20	11,0	66	86	18,0	47	40	25	60	63	14	28	4°
100	20	11,0	76	96	18,0	55	50	25	70	71	15	30	4°
125	30	14,0	94	124	25,0	70	60	37	90	90	20	40	4°



3 and 4 positions flange JP1

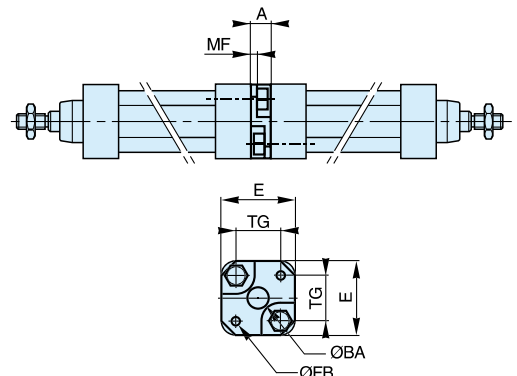
Mounting kit for back to back mounted cylinders, 3 and 4 position cylinders.



Material:
Mounting: Aluminium
Mounting screws: Zinc-plated steel 8.8

Cyl. bore Ø mm	Weight kg	Order code
32	0,09	P1E-6KB0
40	0,13	P1E-6LB0
50	0,17	P1E-6MB0
63	0,36	P1E-6NB0
80	0,46	P1E-6PB0
100	0,83	P1E-6QB0

Cyl. bore mm	E mm	TG mm	ØFB mm	MF mm	A mm	ØBA mm
32	50	32,5	6,5	5	16	30
40	60	38,0	6,5	5	16	35
50	66	46,5	8,5	6	20	40
63	80	56,5	8,5	6	20	45
80	100	72,0	10,5	8	25	45
100	118	89,0	10,5	8	25	55



Pivot brackets AT4 for MT*

Intended for use together with trunnion MT4.

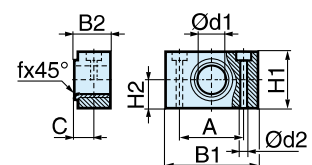


Material:
Pivot bracket: Aluminium
Bearing: Composite

Supplied in pairs.

Cyl. bore Ø mm	Weight kg	Order code
32	0,06	PD23381
40	0,06	PD23382
50	0,06	PD23382
63	0,10	PD23383
80	0,10	PD23383
100	0,175	PD23384
125	0,175	PD23384

Cyl. bore mm	B1 mm	B2 mm	A mm	C mm	d1 mm	d2 H13 mm	H1 mm	H2 mm	fx45° min mm
32	55	20	36	10,5	12	8,4	26	13	1,0
40	55	20	36	12,0	16	8,4	26	13	1,6
50	55	20	36	12,0	16	8,4	26	13	1,6
63	65	25	42	13,0	20	10,5	30	15	1,6
80	65	25	42	13,0	20	10,5	30	15	1,6
100	75	28	50	16,0	25	13,0	40	20	2,0
125	75	28	50	16,0	25	13,0	40	20	2,0



Cylinder mountings

Intermediate trunnion MT4



Intended for articulated mounting of cylinder. The trunnion is factory-fitted in the centre of the cylinder or at an optional location specified by the XV-measure - Combined with pivot brackets AT4.

Material:
Trunnion: Zinc plated steel

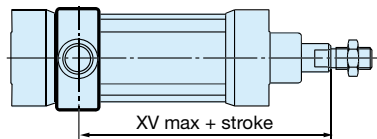
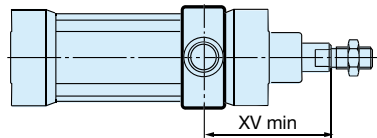
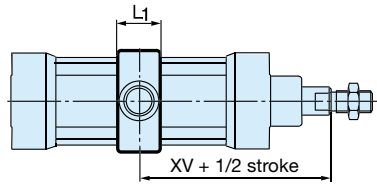
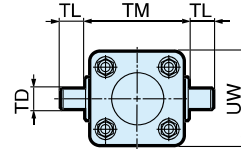
Trunnion centred

The central trunnion for the P1D-B is ordered with letter D in position 17 (no dimension specified in positions 18-20). e.g. P1D-B100MS-0500NDNNN

Trunnion with optional location

The trunnion for the P1D-B is ordered with letter G in position 17 and desired XV-measure (3-digit measure in mm) in positions 18-20. e.g. P1D-B100MS-0500NG300

Cyl. bore Ø mm	Weight kg
32	0,13
40	0,31
50	0,37
63	0,69
80	0,89
100	1,58
125	2,60



Cyl. bore mm	L1	TL	TM	Ø TD	UW	XV min	XV	XV max
	P1D-B mm	h14 mm	h14 mm	e9 mm	P1D-B mm	P1D-B mm	P1D-B mm	P1D-B mm
32	18	12	50	12	52	63,5	73,0	82,5
40	20	16	63	16	59	73,0	82,5	92,0
50	20	16	75	16	71	80,5	90,0	99,5
63	26	20	90	20	84	89,5	97,5	105,5
80	26	20	110	20	105	98,5	110,0	121,5
100	32	25	132	25	129	111,5	120,0	128,5
125	33	25	180	25	159	132,5	145,0	157,5

Important: If the cylinder is ordered with a piston rod protusion (WH dimension), please add this extra length to XVmin, XV and XVmax.

Flange mounted trunnion MT5/MT6

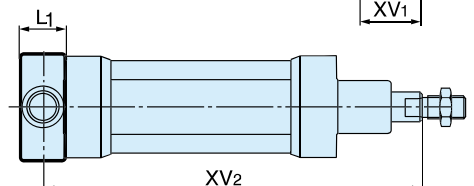
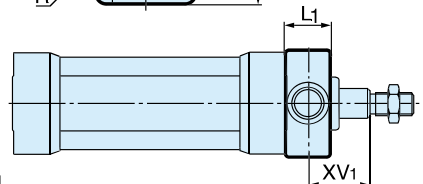
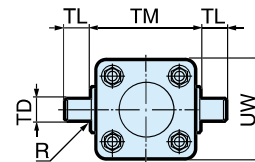


Intended for articulated mounting of cylinder. This trunnion can be flange mounted on the front or rear end cover of all P1D cylinders. Individual trunnions have order code as shown to the right.

Material:
Trunnion: zinc plated steel
Screws: zinc plated steel, 8.8

Delivered complete with mounting screws for attachment to the cylinder

Cyl. bore Ø mm	Weight kg	Order code
32	0,17	P1D-4KMYF
40	0,43	P1D-4LMYF
50	0,55	P1D-4MMYF
63	1,10	P1D-4NMYF
80	1,66	P1D-4PMYF
100	3,00	P1D-4QMYF



Cyl. bore mm	TM h14 mm	TL h14 mm	TD e9 mm	R mm	UW mm	L1 mm	XV ₁ mm	X mm	Y mm
32	50	12	12	1,0	46	14	19,5	126,5	11
40	63	16	16	1,6	59	19	21,0	144,0	14
50	75	16	16	1,6	69	19	28,0	152,0	20
63	90	20	20	1,6	84	24	25,5	169,5	20
80	110	20	20	1,6	102	24	34,5	185,5	26
100	132	25	25	2,0	125	29	37,0	203,0	31

XV₂ = X + Stroke length

Piston rod mountings

Swivel rod eye AP6

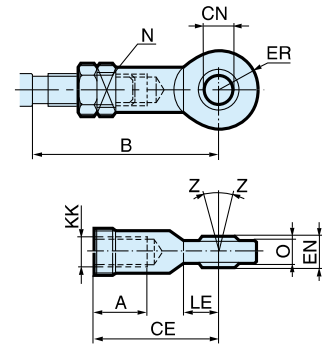


Swivel rod eye for articulated mounting of cylinder.
Swivel rod eye can be combined with clevis bracket GA.
Maintenance-free.

Material:
Swivel rod eye: Zinc-plated steel
Swivel bearing according to DIN 648K: Hardened steel

Cyl. bore Ø mm	Weight kg	Order code
32	0,08	P1C-4KRS
40	0,12	P1C-4LRS
50	0,25	P1C-4MRS
63	0,25	P1C-4MRS
80	0,46	P1C-4PRS
100	0,46	P1C-4PRS
125	1,28	P1C-4RRS

Cyl. bore mm	A mm	B min mm	B max mm	CE mm	CN H9 mm	EN h12 mm	ER mm	KK mm	LE min mm	N mm	O mm	Z mm
32	20	48,0	55	43	10	14	14	M10x1,25	15	17	10,5	12°
40	22	56,0	62	50	12	16	16	M12x1,25	17	19	12,0	12°
50	28	72,0	80	64	16	21	21	M16x1,5	22	22	15,0	15°
63	28	72,0	80	64	16	21	21	M16x1,5	22	22	15,0	15°
80	33	87,0	97	77	20	25	25	M20x1,5	26	32	18,0	15°
100	33	87,0	97	77	20	25	25	M20x1,5	26	32	18,0	15°
125	51	123,5	137	110	30	37	35	M27x2	36	41	25,0	15°



Clevis AP2

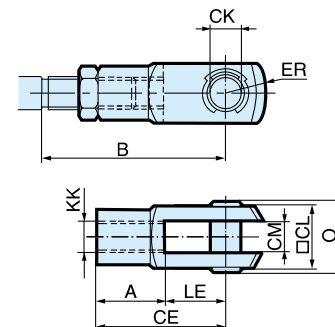


Clevis for articulated mounting of cylinder.

Material:
Clevis, clip: Galvanized steel
Pin: Hardened steel

Cyl. bore Ø mm	Weight kg	Order code
32	0,09	P1C-4KRC
40	0,15	P1C-4LRC
50	0,35	P1C-4MRC
63	0,35	P1C-4MRC
80	0,75	P1C-4PRC
100	0,75	P1C-4PRC
125	2,10	P1C-4RRC

Cyl. bore mm	A mm	B min mm	B max mm	CE mm	CK h11/E9 mm	CL mm	CM mm	ER mm	KK mm	LE mm	O mm
32	20	45,0	52	40	10	20	10	16	M10x1,25	20	28,0
40	24	54,0	60	48	12	24	12	19	M12x1,25	24	32,0
50	32	72,0	80	64	16	32	16	25	M16x1,5	32	41,5
63	32	72,0	80	64	16	32	16	25	M16x1,5	32	41,5
80	40	90,0	100	80	20	40	20	32	M20x1,5	40	50,0
100	40	90,0	100	80	20	40	20	32	M20x1,5	40	50,0
125	56	123,5	137	110	30	55	30	45	M27x2	54	72,0



Piston rod mountings

Flexo coupling PM5



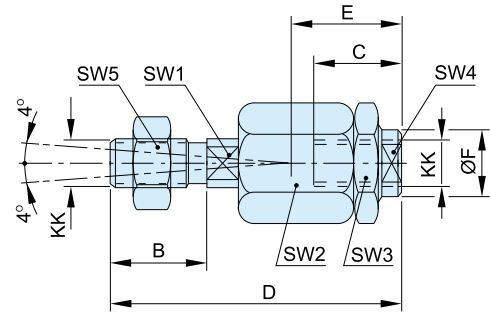
Flexo coupling for articulated mounting of piston rod. Flexo fitting is intended to take up axial angle errors within a range of $\pm 4^\circ$.

Material
Flexo coupling, nut: Zinc-plated steel

Supplied complete with galvanized adjustment nut.

Cyl. bore Ø mm	Weight kg	Order code
32	0,23	P1C-4KRF
40	0,23	P1C-4LRF
50	0,65	P1C-4MRF
63	0,65	P1C-4MRF
80	0,71	P1C-4PRF
100	0,71	P1C-4PRF
125	1,60	P1C-4RRF

Cyl. bore mm	KK mm	B mm	C mm	D mm	E mm	ØF mm	SW1 mm	SW2 mm	SW3 mm	SW4 mm	SW5 mm
32	M10x1.25	20	23	73	31	21	12	30	30	19	17
40	M12x1.25	24	23	77	31	21	12	30	30	19	19
50	M16x1.5	32	32	108	45	33.5	19	41	41	30	24
63	M16x1.5	32	32	108	45	33.5	19	41	41	30	24
80	M20x1.5	40	42	122	56	33.5	19	41	41	30	30
100	M20x1.5	40	42	122	56	33.5	19	41	41	30	30
125	M27x2	54	48	147	51	39	24	55	55	32	41



Nut MR9 *



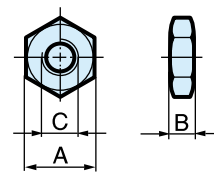
Intended for fixed mounting of accessories to the piston rod.
Material: Zinc-plated steel
Supplied as pack of 10 off

All P1D cylinders are delivered with a zinc-plated steel piston rod nut.

Cyl. bore Ø mm	Weight** kg	Order code
32	0,007	P14-4KRPZ
40	0,010	P14-4LRPZ
50	0,021	P14-4MRPZ
63	0,021	P14-4MRPZ
80	0,040	P14-4PRPZ
100	0,040	P14-4PRPZ
125	0,100	P14-4RRPZ

* Supplied as pack of 10 off
** Weight per item

Cyl. bore mm	A mm	B mm	C
32	17	5,0	M10x1,25
40	19	6,0	M12x1,25
50	24	8,0	M16x1,5
63	24	8,0	M16x1,5
80	30	10,0	M20x1,5
100	30	10,0	M20x1,5
125	41	13,5	M27x2



	Flange MF1/MF2 ¹	Foot brackets MS1 ²	Pivot bracket with rigid bearing AB7 ³	Swivel eye bracket ⁴ MP6	Clevis bracket MP2 ⁵
Ø 32	P1C-4KMB	P1C-4KMF	P1C-4KMDB	PD23843	P1C-4KMTB
Ø 40	P1C-4LMB	P1C-4LMF	P1C-4LMDB	PD23844	P1C-4LMTB
Ø 50	P1C-4MMB	P1C-4MMF	P1C-4MMDB	PD23845	P1C-4MMTB
Ø 63	P1C-4NMB	P1C-4NMF	P1C-4NMDB	PD23846	P1C-4NMTB
Ø 80	P1C-4PMB	P1C-4PMF	P1C-4PMDB	PD23847	P1C-4PMTB
Ø 100	P1C-4QMB	P1C-4QMF	P1C-4QMDB	PD23848	P1C-4QMTB
Ø 125	P1C-4RMB	P1C-4RMF	P1C-4RMDB	PD23849	P1C-4RMTB
	Clevis bracket MP4 ⁶	Clevis bracket AB6 ⁷	Pivot bracket with swivel bearing CS7 ⁸	3 and 4 positions flange JP1	Pivot brackets AT4 ¹⁰ for MT*
Ø 32	PD23412	P1C-4KMCB	KC5130	P1E-6KB0	PD23381
Ø 40	PD23413	P1C-4LMCB	KC5131	P1E-6LB0	PD23382
Ø 50	PD23414	P1C-4MMCB	KC5132	P1E-6MB0	PD23382
Ø 63	PD23415	P1C-4NMCB	KC5133	P1E-6NB0	PD23383
Ø 80	PD23416	P1C-4PMC	KC5134	P1E-6PB0	PD23383
Ø 100	PD23417	P1C-4QMCB	KC5135	P1E-6QB0	PD23384
Ø 125	PD23418	P1C-4RMCB	KC5136		PD23384
	Flange mounting ¹¹ trunnion MT5/MT6	Swivel rod eye AP6 ¹²	Clevis AP2 ¹³	Flexo coupling PM5 ¹⁴	Nut MR9
Ø 32	P1D-4KMYF	P1C-4KRS	P1C-4KRC	P1C-4KRF	P14-4KRPZ
Ø 40	P1D-4LMYF	P1C-4LRS	P1C-4LRC	P1C-4LRF	P14-4LRPZ
Ø 50	P1D-4MMYF	P1C-4MRS	P1C-4MRC	P1C-4MRF	P14-4MRPZ
Ø 63	P1D-4NMYF	P1C-4MRS	P1C-4MRC	P1C-4MRF	P14-4MRPZ
Ø 80	P1D-4PMYF	P1C-4PRS	P1C-4PRC	P1C-4PRF	P14-4PRPZ
Ø 100	P1D-4QMYF	P1C-4PRS	P1C-4PRC	P1C-4PRF	P14-4PRPZ
Ø 125		P1C-4RRS	P1C-4RRC	P1C-4RRF	P14-4RRPZ

